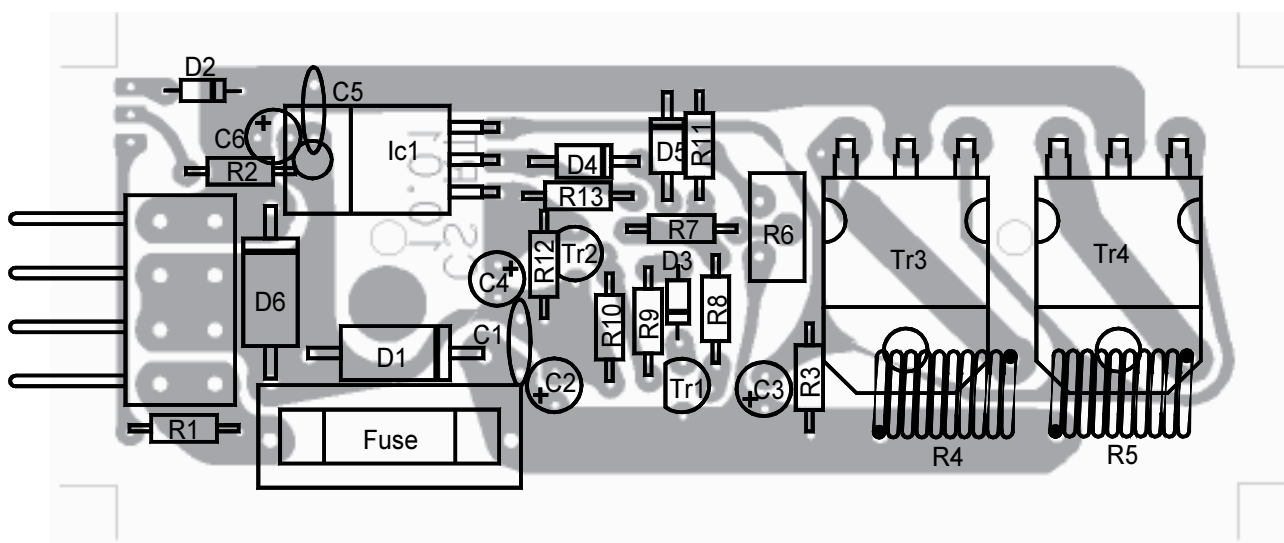
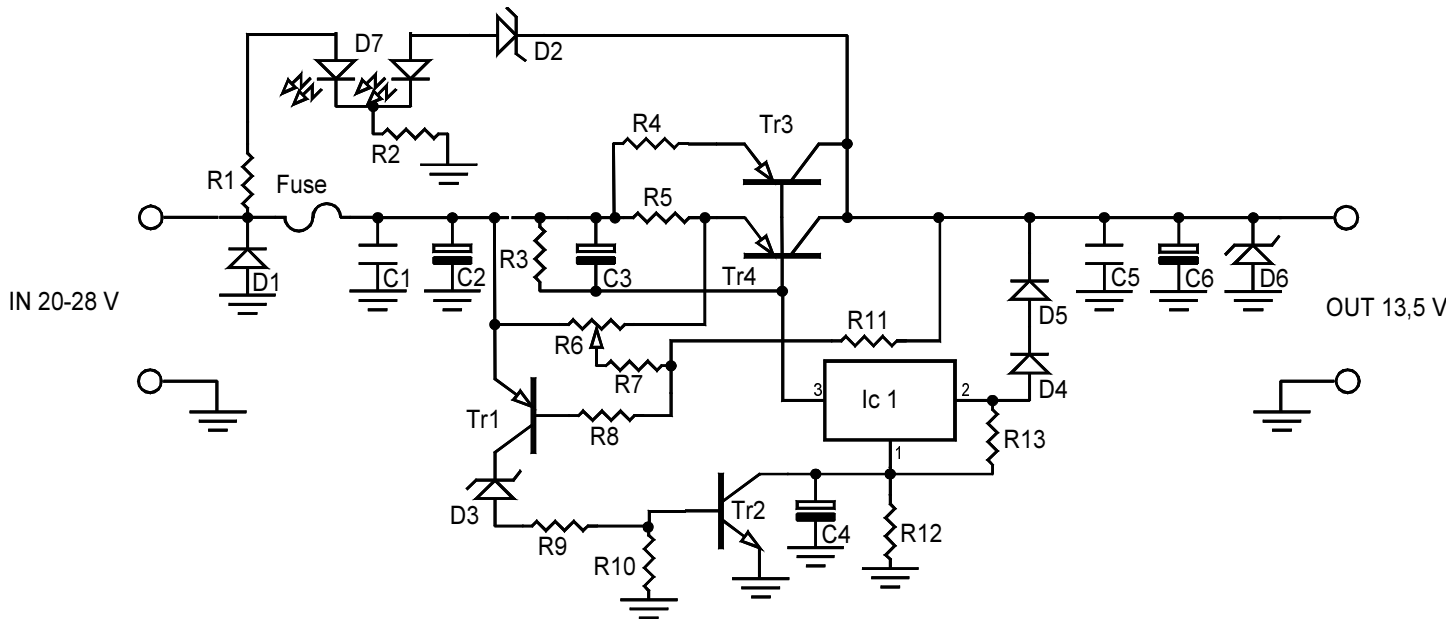


# Mod. K 2412 tension reducer

Schematic diagram

Version 1.00



**List of components**

C <sub>1</sub>	= 10 nF	50 V
C <sub>2</sub>	= 22 μF	35 V
C <sub>3</sub>	= 2,2 μF	16 V
C <sub>4</sub>	= 2,2 μF	16 V
C <sub>5</sub>	= 10 nF	50 V
C <sub>6</sub>	= 22 μF	35 V
R <sub>1</sub>	= 10 KΩ	¼W
R <sub>2</sub>	= 180 Ω	¼W
R <sub>3</sub>	= 6,8 Ω	¼W
R <sub>4</sub>	= 9 turns φ 6 mm resistive wire	
R <sub>5</sub>	= 9 turns φ 6 mm resistive wire	
R <sub>6</sub>	= Trimmer	220 Ω
R <sub>7</sub>	= 180 Ω	¼W
R <sub>8</sub>	= 180 Ω	¼W
R <sub>9</sub>	= 1,0 KΩ	¼W
R <sub>10</sub>	= 1,0 KΩ	¼W
R <sub>11</sub>	= 12 KΩ	¼W
R <sub>12</sub>	= 1960 Ω	¼W 1%
R <sub>13</sub>	= 180 Ω	¼W
D <sub>1</sub>	= 1N5400	
D <sub>2</sub>	= Zener 7,5 V	½W
D <sub>3</sub>	= Zener 12 V	½W
D <sub>4</sub>	= 1N4004	
D <sub>5</sub>	= 1N4004	
D <sub>6</sub>	= Zener 15 V	5 W
D <sub>7</sub>	= Bi color LED	
Tr <sub>1</sub>	= BC 557	
Tr <sub>2</sub>	= BC 337	
Tr <sub>3</sub> = Tr <sub>4</sub>	= TIP 2955	
IC <sub>1</sub>	= LM 317	
Fuse	= 10 A	