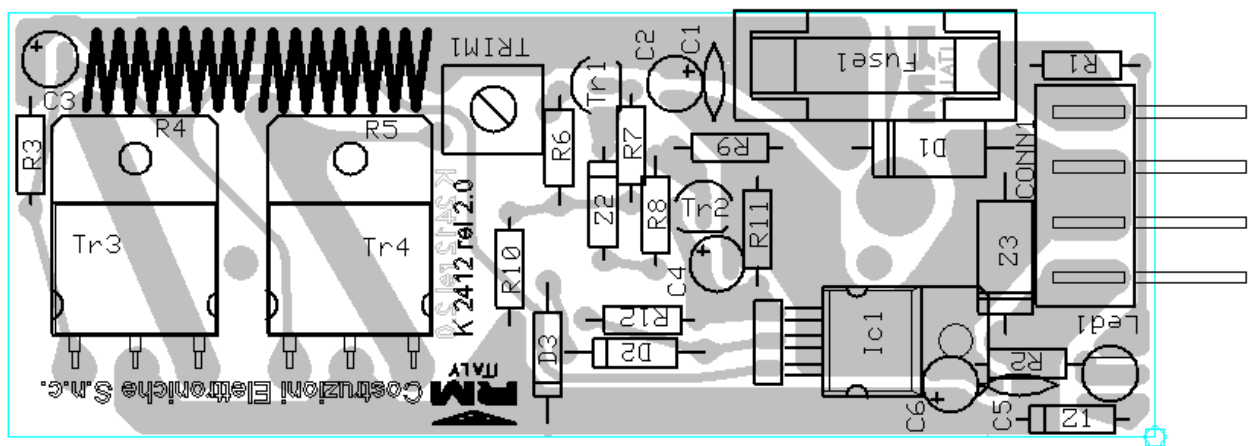
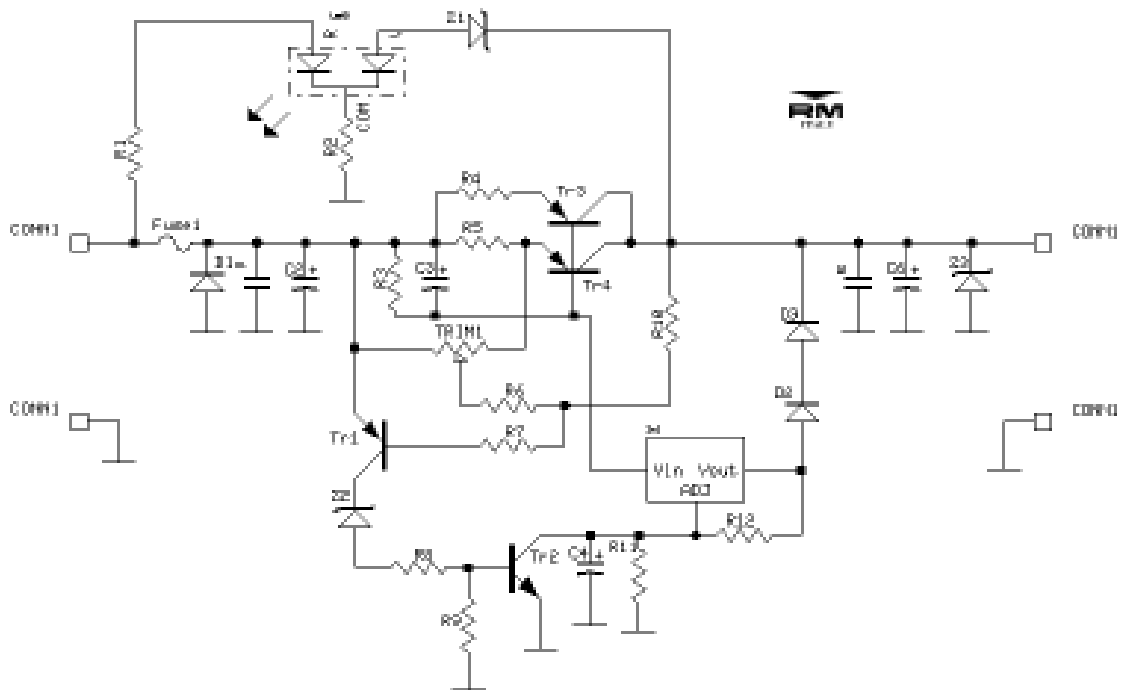


# Mod. K 2412 tension reducer

Schematic diagram

Version 2.00



**List of components**

C<sub>1</sub> = 10 nF 50 V  
C<sub>2</sub> = 22 μF 35 V  
C<sub>3</sub> = 2,2 μF 16 V  
C<sub>4</sub> = 2,2 μF 16 V  
C<sub>5</sub> = 10 nF 50 V  
C<sub>6</sub> = 22 μF 35 V  
R<sub>1</sub> = 10 KΩ ¼W  
R<sub>2</sub> = 180 Ω ¼W  
R<sub>3</sub> = 6,8 Ω ¼W  
R<sub>4</sub> = 9 turns φ 6 mm resistive wire  
R<sub>5</sub> = 9 turns φ 6 mm resistive wire  
R<sub>6</sub> = 180 Ω ¼W  
R<sub>7</sub> = 180 Ω ¼W  
R<sub>8</sub> = 1,0 KΩ ¼W  
R<sub>9</sub> = 1,0 KΩ ¼W  
R<sub>10</sub> = 12 KΩ ¼W  
R<sub>11</sub> = 1960 Ω ¼W 1%  
R<sub>12</sub> = 180 Ω ¼W  
Trim<sub>1</sub> = Trimmer 220 Ω PT10 orr  
D<sub>1</sub> = 1N5400  
D<sub>2</sub> = 1N4007  
D<sub>3</sub> = 1N4007  
Z<sub>1</sub> = Zener 7,5 V ½W  
Z<sub>2</sub> = Zener 12 V ½W  
Z<sub>3</sub> = Zener 15 V 5 W  
Led<sub>1</sub> = Bicolor LED  
Tr<sub>1</sub> = BC 557  
Tr<sub>2</sub> = BC 337  
Tr<sub>3</sub> = Tr<sub>4</sub> = TIP 2955  
IC<sub>1</sub> = LM 317  
Fuse = 12 A