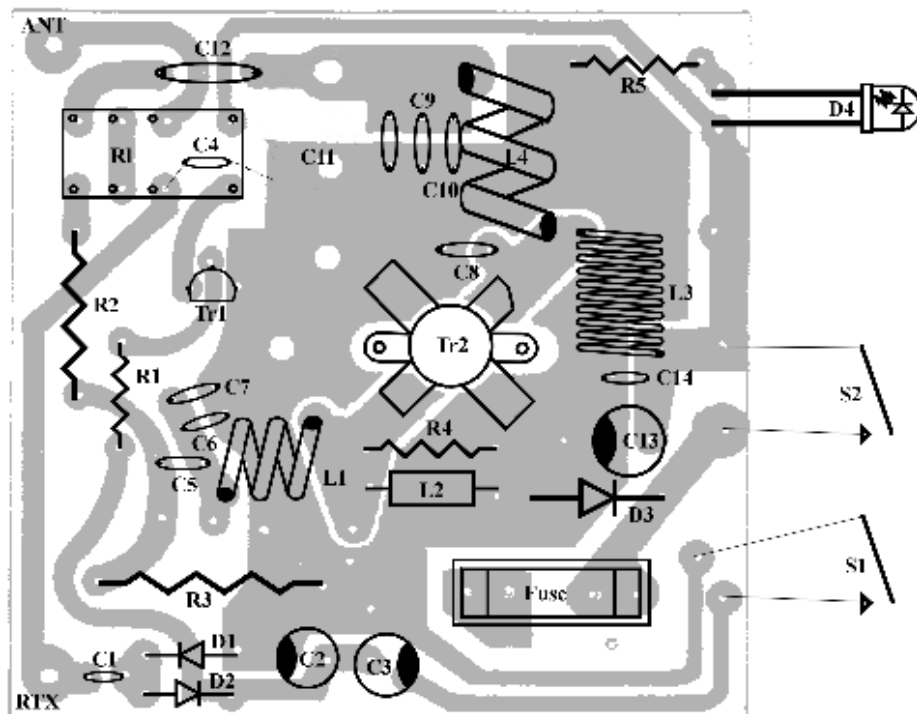
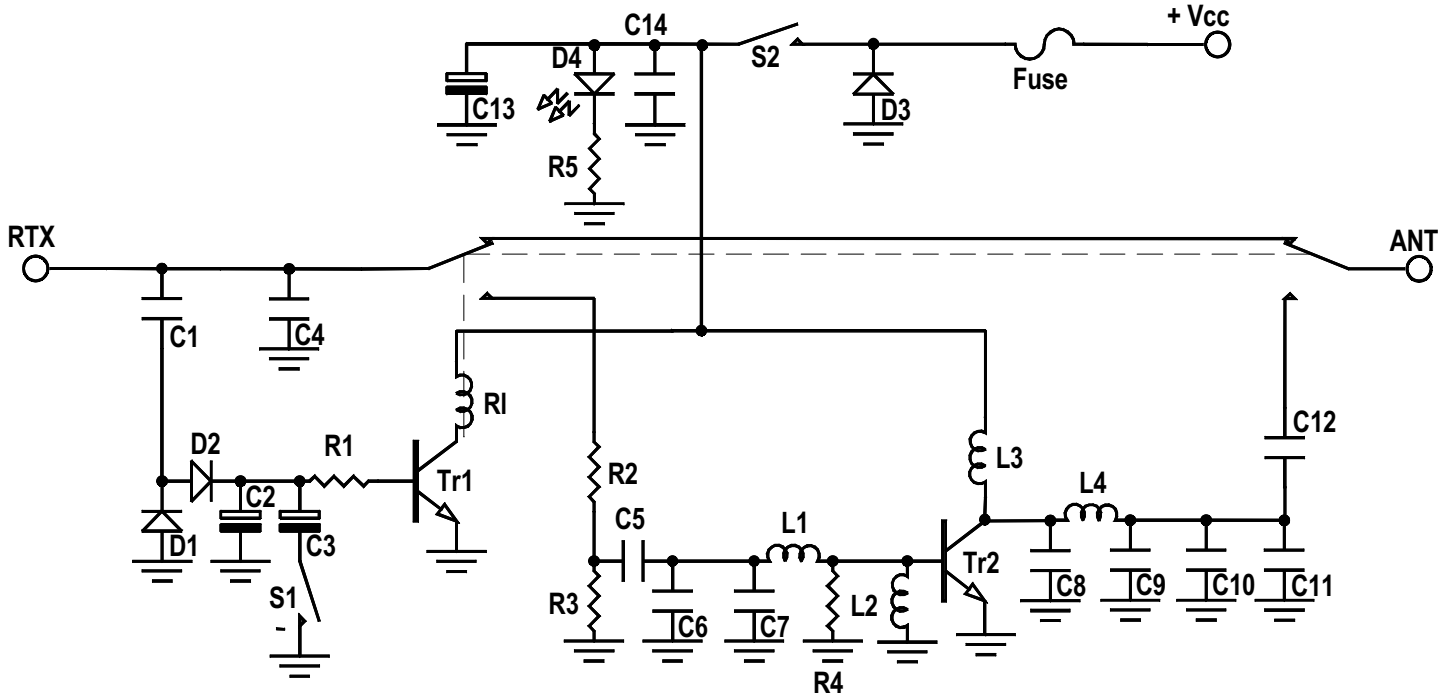


Mod. KL 300 / 24 linear amplifier

Schematic diagram

Version 3.02



List of components

C ₁	= 8,2 pF	50 V	N750
C ₂	= 10 μF	16 V	
C ₃	= 22 μF	16 V	
C ₄	= 33 pF	50 V	N750
C ₅	= 100 pF	50 V	N750
C ₆	= 220 pF	50 V	N750
C ₇	= 270 pF	50 V	N750
C ₈	= 150 pF	500 V	N750
C ₉	= 180 pF	500 V	N750
C ₁₀	= 120 pF	500 V	N750
C ₁₁	= 120 pF	500 V	N750
C ₁₂	= 180 pF	500 V	N750
C ₁₃	= 22 μF	35 V	
C ₁₄	= 100 nF	50 V	
R ₁	= 2,2 KΩ	¼W	
R ₂	= 15 Ω	2W	
R ₃	= 180 Ω	2W	
R ₄	= 10 Ω	½W	
R ₅	= 2,2 KΩ	½W	
D ₁ = D ₂	= 1N4148		
D ₃	= 1N5400		
D ₄	= Led		
TR ₁	= BC 547		
TR ₂	= MRF 422		
S ₁	= Switch (AM - SSB)		
S ₂	= Switch (ON - OFF)		
L ₁	= 3 turns φ 8 mm wire φ 0,8 mm		
L ₂	= VK 200		
L ₃	= 12 turns φ 6 mm wire φ 1 mm		
L ₄	= 4 turns φ 8 mm wire φ 1,2 mm		
RI	= Relè 24 V 3022		
Fuse	= 10 A		