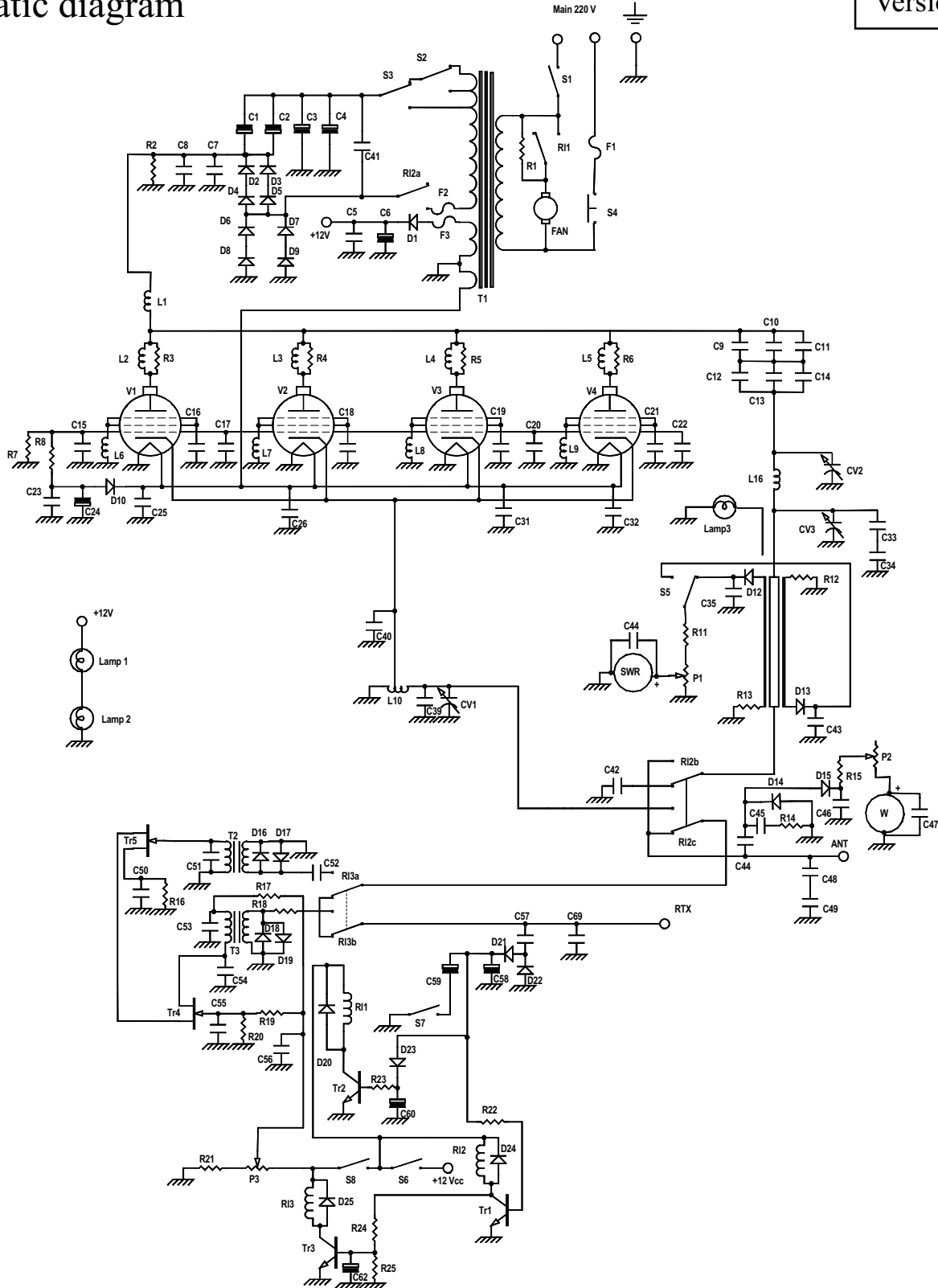
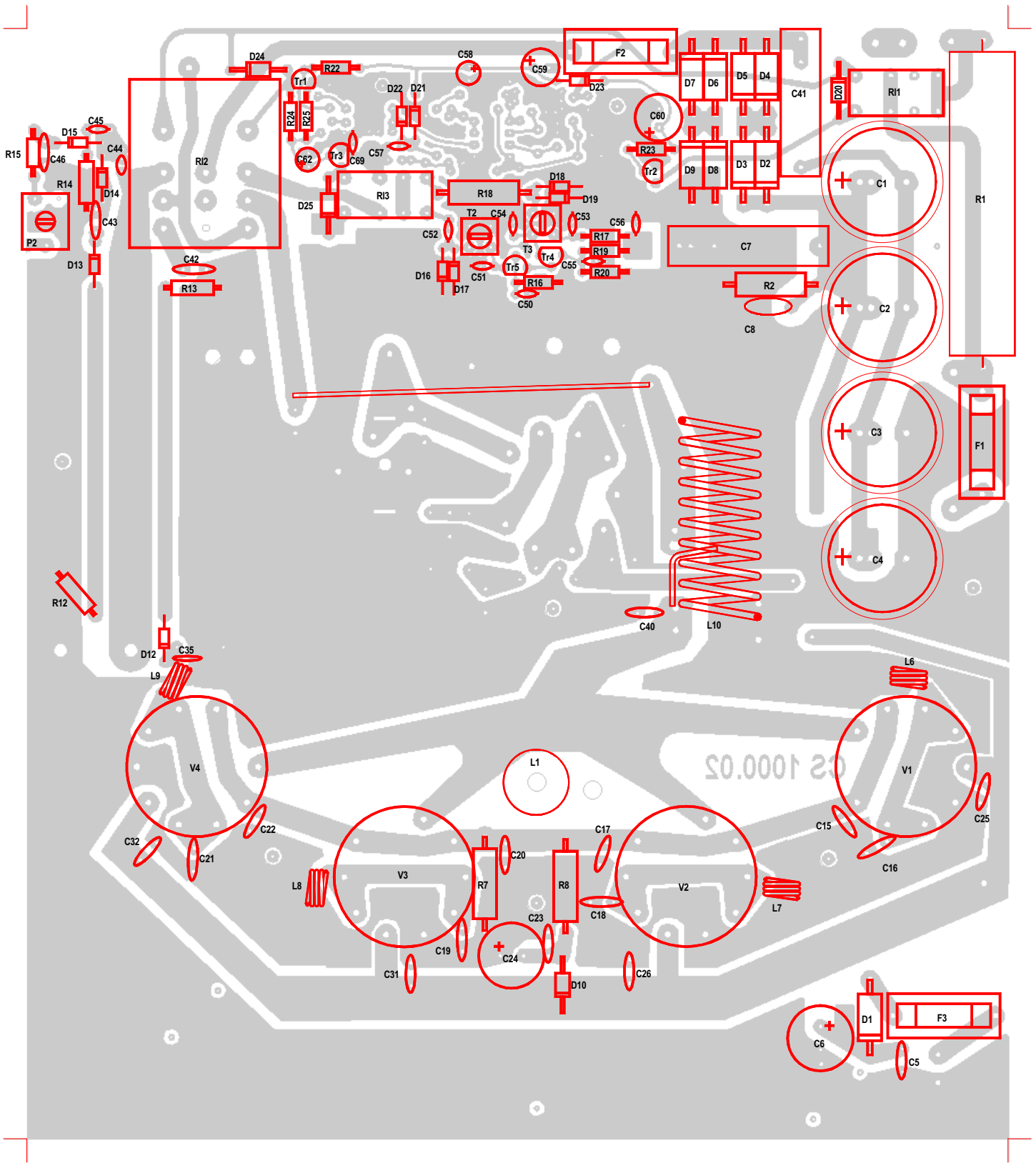


Mod. KLV 1000 P linear amplifier

Schematic diagram

Version 3.00





List of components

C ₁	= 100 μ F	450 V	
C ₂	= 100 μ F	450 V	
C ₃	= 100 μ F	450 V	
C ₄	= 100 μ F	450 V	
C ₅	= 100 nF	50V	
C ₆	= 2200 μ F	25 V	
C ₇	= 2,2 nF	1500V	
C ₈	= 22 nF	1000 V	polyester
C ₉	= 2,2 nF	1500 V	
C ₁₀	= 2,2 nF	1500 V	
C ₁₁	= 2,2 nF	1500 V	
C ₁₂	= 2,2 nF	1500 V	
C ₁₃	= 2,2 nF	1500 V	
C ₁₄	= 2,2 nF	1500 V	
C ₁₅	= 100 nF	50V	
C ₁₆	= 150 pF	500 V	N750
C ₁₇	= 100 nF	50V	
C ₁₈	= 150 pF	500 V	N750
C ₁₉	= 150 pF	500 V	N750
C ₂₀	= 100 nF	50V	
C ₂₁	= 150 pF	500 V	N750
C ₂₂	= 100 nF	50V	
C ₂₃	= 100 nF	50V	
C ₂₄	= 470 μ F	50 V	
C ₂₅	= 100 nF	50 V	
C ₂₆	= 100 nF	50 V	
C ₃₁	= 100 nF	50 V	
C ₃₂	= 100 nF	50 V	
C ₃₃	= 270 pF	500 V	N750
C ₃₄	= 270 pF	500 V	N750
C ₃₅	= 100 nF	50 V	
C ₃₉	= 47 pF	500 V	N750
C ₄₀	= 82 pF	500 V	N750
C ₄₁	= 470 nF	630 V~	
C ₄₂	= 470 pF	50 V	N750
C ₄₃	= 100 nF	50 V	
C ₄₄	= 2,2 pF	50 V	N750
C ₄₅	= 33 pF	50 V	N750
C ₄₆	= 100 nF	50 V	
C ₄₇	= 100 nF	50 V	
C ₄₈	= 68 pF	500 V	N750
C ₄₉	= 68 pF	500 V	N750
C ₅₀	= 10 nF	50V	
C ₅₁	= 27 pF	50 V	N750
C ₅₂	= 10 nF	50V	
C ₅₃	= 10 nF	50V	
C ₅₄	= 33 pF	50 V	N750
C ₅₅	= 10 nF	50V	
C ₅₆	= 100 nF	50V	
C ₅₇	= 2,2 pF	50 V	N750
C ₅₈	= 10 μ F	16V	
C ₅₉	= 47 μ F	16V	
C ₆₀	= 330 μ F	16V	
C ₆₂	= 10 μ F	16V	
C ₆₉	= 27 pF	50 V	N750
Cv ₁	= Variable condensator	50 pF	
Cv ₂	= Variable condensator	50 pF	
Cv ₃	= Variable condensator	350 pF	
R ₁	= 2,2 K Ω	15W	
R ₂	= 470 K Ω	2W	
R ₃	= 47 Ω	5W	
R ₄	= 47 Ω	5W	
R ₅	= 47 Ω	5W	
R ₆	= 47 Ω	5W	
R ₇	= 1,0 K Ω	2W	
R ₈	= 100 Ω	2W	
R ₁₁	= 47 K Ω	¼W	
R ₁₂	= 100 Ω	½W	
R ₁₃	= 100 Ω	½W	
R ₁₄	= 27 Ω	½W	
R ₁₅	= 47 K Ω	¼W	
R ₁₆	= 180 Ω	¼W	
R ₁₇	= 470 Ω	¼W	
R ₁₈	= 15 Ω	2W	
R ₁₉	= 56 K Ω	¼W	
R ₂₀	= 22 K Ω	¼W	
R ₂₁	= 4,7 K Ω	¼W	
R ₂₂	= 2,2 K Ω	¼W	
R ₂₃	= 2,2 K Ω	¼W	
R ₂₄	= 12 K Ω	¼W	
R ₂₅	= 680 Ω	¼W	
P ₁	= Potentiometer	4,7 K Ω	
P ₂	= Trimmer	220 K Ω	
P ₃	= Potentiometer	4,7 K Ω	
D ₁	= 1N5400		
D ₂ =D ₃ =D ₄ =D ₅	= BY 255		
D ₆ =D ₇ =D ₈ =D ₉	= BY 255		
D ₁₀ =D ₂₀ =D ₂₄ =D ₂₅	= 1N4004		
D ₁₂ =D ₁₃ =D ₁₄ =D ₁₅ =D ₁₆	= 1N4148		
D ₁₇ =D ₁₈ =D ₁₉ =D ₂₁ =D ₂₂ =D ₂₃	= 1N4148		
Tr ₁ =Tr ₂ =Tr ₃	= BC 547		
Tr ₄ =Tr ₅	= BF 245		
V ₁ =V ₂ =V ₃ =V ₄	= EL 509 - EL 519		
L ₁	= RF impedance block		

$L_2 = L_3 = L_4 = L_5 = 3$ turns wound on resistor, wire ϕ 0.8 mm

$L_6 = L_7 = L_8 = L_9 = 3$ turns ϕ 6 mm wire ϕ 0.8 mm

$L_{10} = 9$ turns ϕ 15 mm wire ϕ 2,0 mm tap 4^a turn

$L_{16} = 3$ turns ϕ 34 mm wire ϕ 3,0 mm

$R_{11} = R_{13} = \text{Relè } 12 \text{ V } 3022$

$R_{12} = \text{Relè } 12 \text{ V } 6043$

$F_1 = 8 \text{ A}$

$F_2 = 4 \text{ A}$

$F_3 = 2 \text{ A}$

Lamp ₁ = Lamp ₂ = Meters lamp

Lamp ₃ = 24 V

$S_1 = \text{Switch (ON - OFF)}$

$S_2 = \text{Switch (HI1 - HI2)}$

$S_3 = \text{Switch (LOW - HI)}$

$S_4 = \text{Protection Switch}$

$S_5 = \text{Switch (DIR - CAL)}$

$S_6 = \text{Switch } 3\text{A (St.By - ON)}$

$S_7 = \text{Switch } 3\text{A (AM - SSB)}$

$S_8 = \text{Switch } 3\text{A (Pre ON - OFF)}$

$T_1 = \text{Transformator IN } 220$

OUT 0-200-250-300V 0 - 12 V 0 - 6 V

$T_2 = T_3 = \text{Transformers } 30 \text{ MHz}$

Fan = Fan 220 Vac