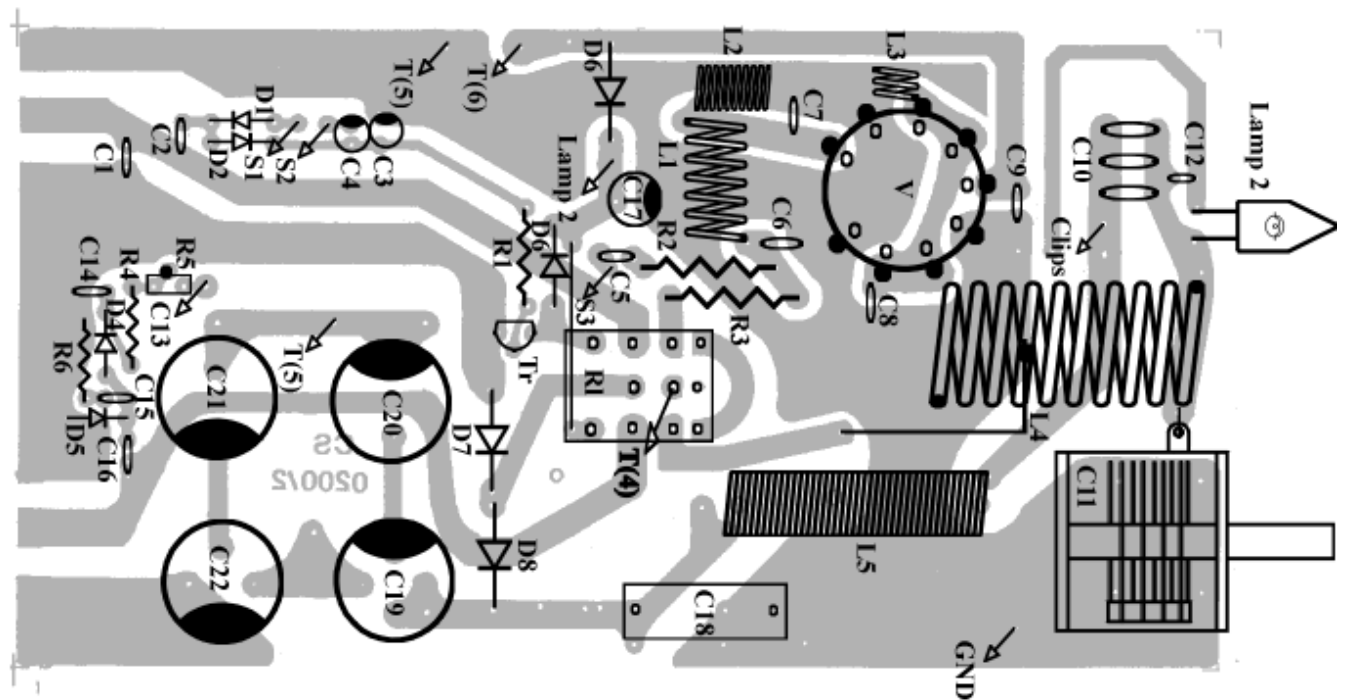
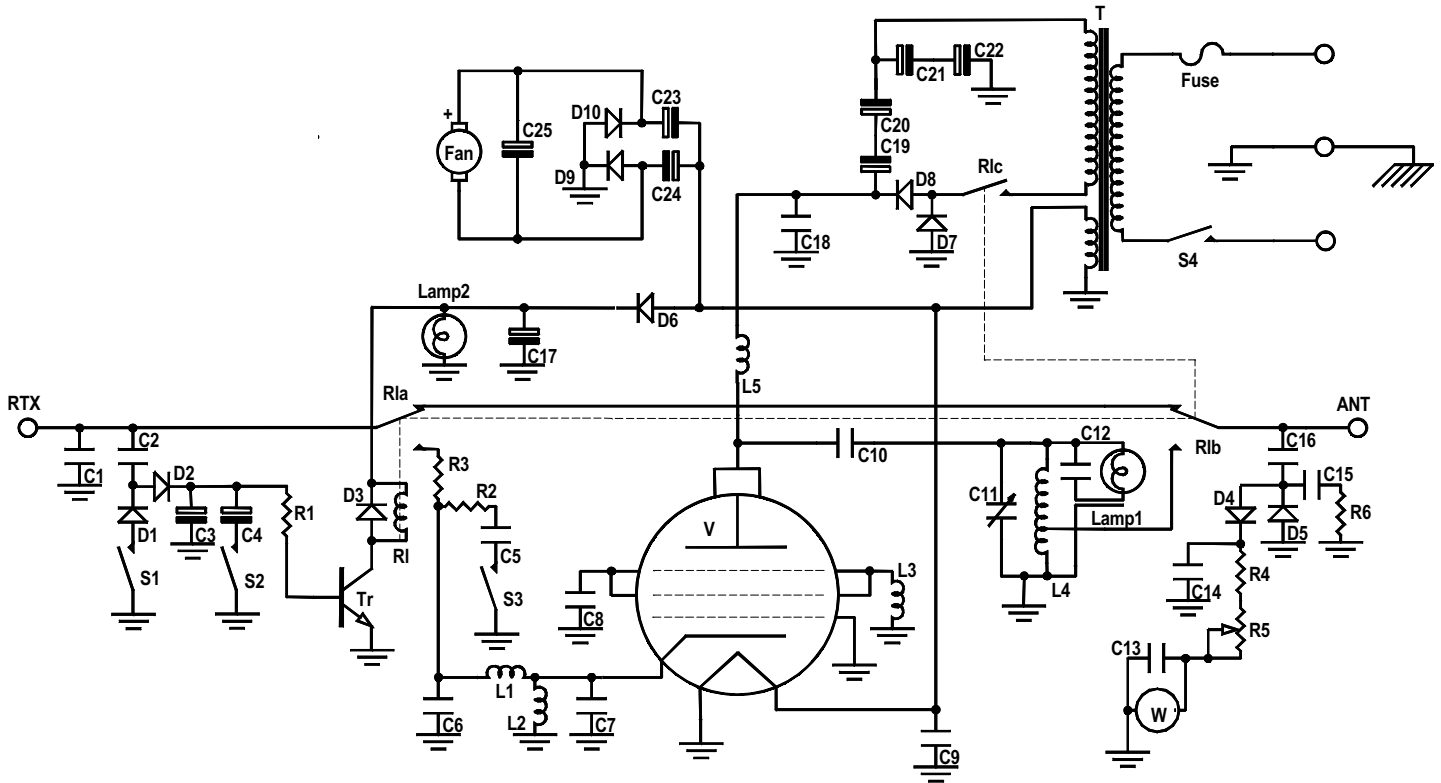


Mod. KLV 200 linear amplifier

Schematic diagram

Version 2.00



List of components

C ₁	= 27 pF	50 V	N750	S ₄	= Switch 3A (ON - OFF)
C ₂	= 8,2 pF	50 V	N750	T	= Transformator IN 220 OUT 0-300 V 0-6 V
C ₃	= 10 µF	16 V		Fan	= Fan 12 V
C ₄	= 33 µF	16 V			
C ₅	= 82 pF	50 V	N750		
C ₆	= 150 pF	50 V	N750		
C ₇	= 220 pF	50 V	N750		
C ₈	= 270 pF	500 V	N750		
C ₉	= 100 nF	50 V			
C ₁₀	= 2 x 4,7 nF	1000 V			
C ₁₁	= Variable condenser	30 pF			
C ₁₂	= 27 pF	50 V	N750		
C ₁₃	= 100 nF	50 V			
C ₁₄	= 100 nF	50 V			
C ₁₅	= 33 pF	50 V	N750		
C ₁₆	= 2,2 pF	50 V	N750		
C ₁₇	= 470 µF	16 V			
C ₁₈	= 22 nF	1000 V			
C ₁₉	= 470 µF	200 V			
C ₂₀	= 470 µF	200 V			
C ₂₁	= 470 µF	200 V			
C ₂₂	= 470 µF	200 V			
C ₂₃	= 220 µF	16 V			
C ₂₄	= 220 µF	16 V			
C ₂₅	= 22 µF	16 V			
R ₁	= 2,2 KΩ	¼W			
R ₂	= 47 Ω	2W			
R ₃	= 15 Ω	2W			
R ₄	= 47 KΩ	¼W			
R ₅	= Trimmer	220 KΩ			
R ₆	= 27 Ω	½W			
D ₁ = D ₂ = D ₄ = D ₅	= 1N4148				
D ₃ = D ₆ = D ₉ = D ₁₀	= 1N4004				
D ₇ = D ₈	= 1N4007				
Tr	= BC 547				
V	= EL 509 - EL 519				
L ₁	= 7 turns φ 8 mm wire φ 0.8 mm				
L ₂	= 9 turns φ 8 mm wire φ 0.8 mm				
L ₃	= 3 turns φ 5 mm wire φ 0.8 mm				
L ₄	= 13 turns φ 13 mm wire φ 1.5 mm tap 4 ^a turns				
L ₅	= RF impedance block				
RI	= Relè 12 V 5513				
Fuse	= 2 A				
Lamp ₁	= 24 V				
Lamp ₂	= Meter lamp				
S ₁	= Switch 3A (St. By - ON)				
S ₂	= Switch 3A (AM - SSB)				
S ₃	= Switch 3A (HI - LOW)				