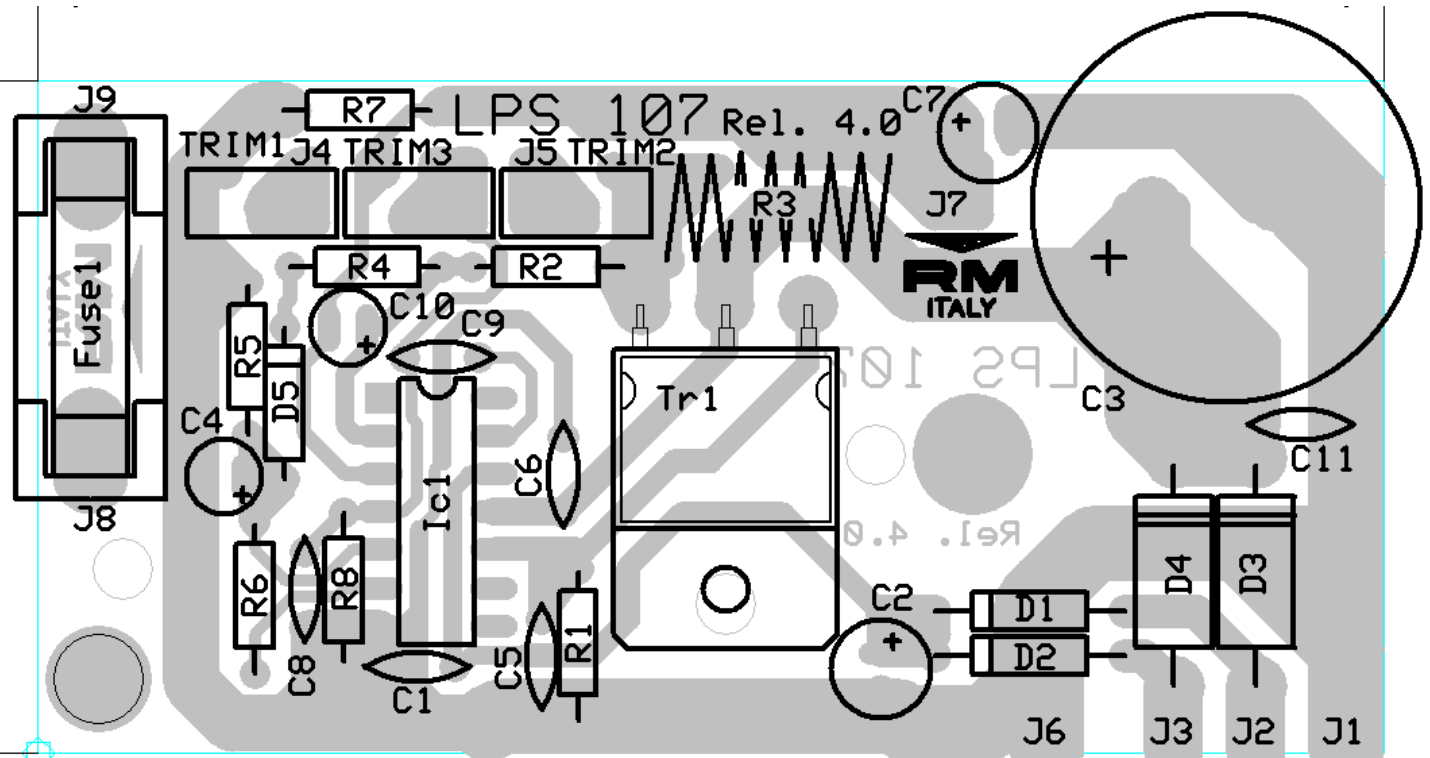
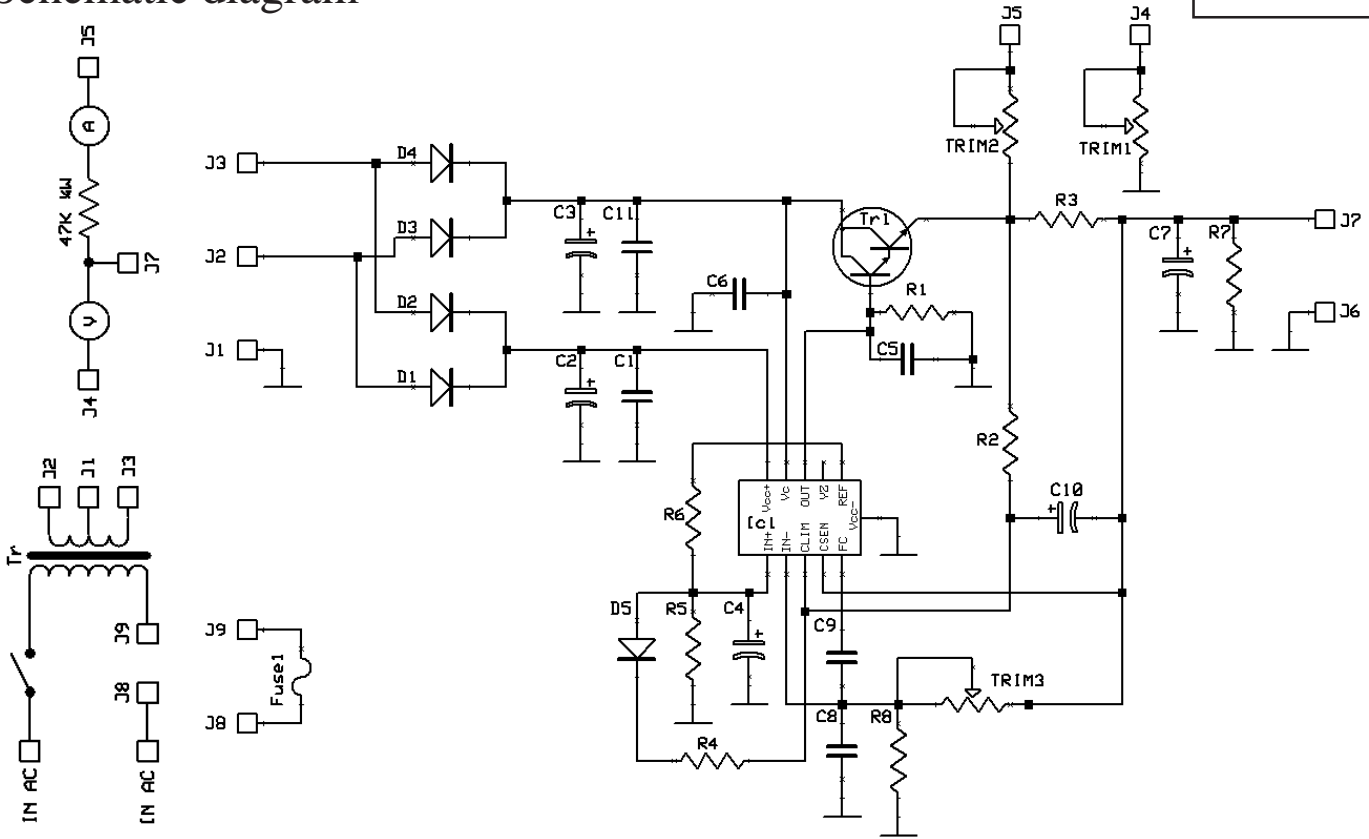




Mod. 107 power supply

Schematic diagram

Version 4.00



List of components

C₁ = 100 nF 50 V
C₂ = 47 μF 25 V
C₃ = 4700 μF 35 V
C₄ = 2,2 μF 25 V
C₅ = 100 nF 50 V
C₆ = 100 nF 50 V
C₇ = 22 μF 25 V
C₈ = 150 pF 50 V
C₉ = 470 pF 50 V
C₁₀ = 2,2 μF 25 V
C₁₁ = 100 nF 50 V
R₁ = 2,2 KΩ ¼W
R₂ = 470 Ω ¼W
R₃ = 6 turns φ 6 mm resistive wire
R₄ = 470 Ω ¼W
R₅ = 4,7 KΩ ¼W
R₆ = 2,2 KΩ ¼W
R₇ = 2,2 KΩ ¼W
R₈ = 2,2 KΩ ¼W
TRIM1 = not present
TRIM2 = not present
TRIM3 = 4,7 KΩ
D₁ = D₂ = 1N4004
D₃ = D₄ = 1N5400
D₅ = 1N4148
Tr₁ = TIP 142
Ic₁ = LM 723
Fuse = 1,6 A
Tr = Transformator IN 220V OUT 18-0-18V