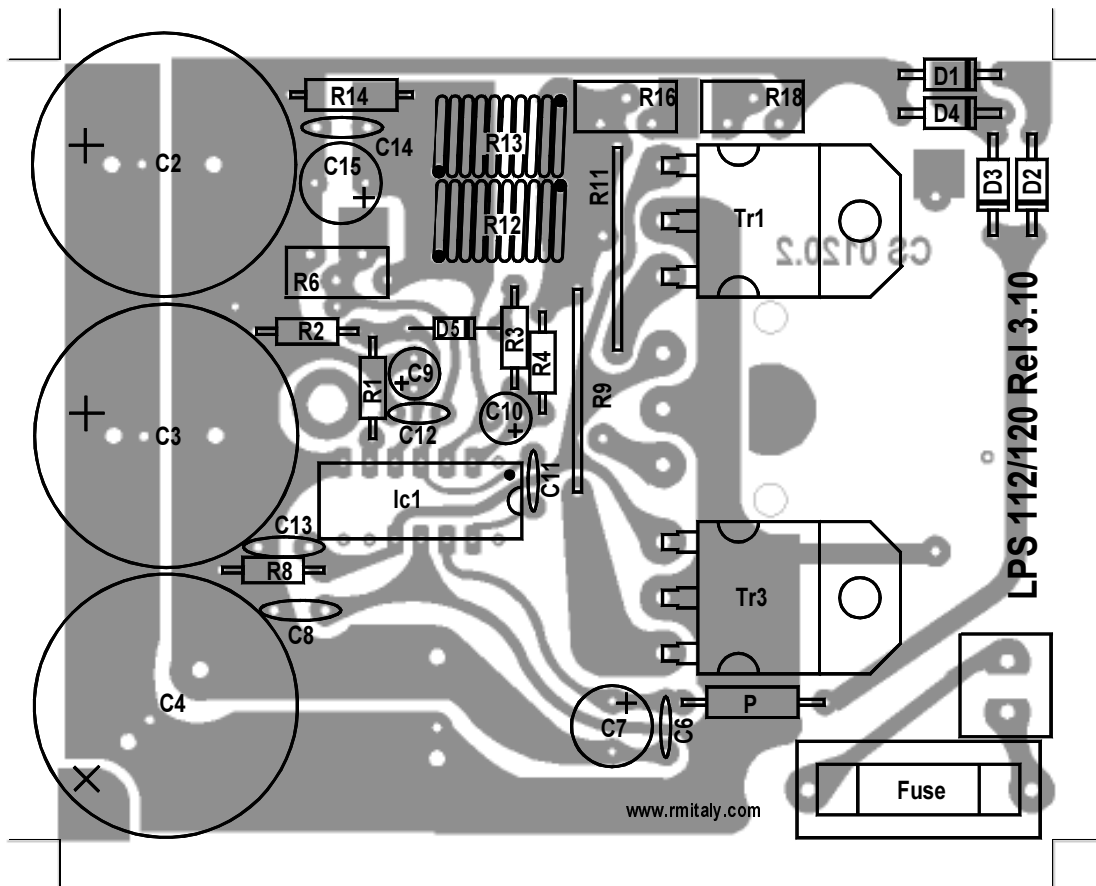
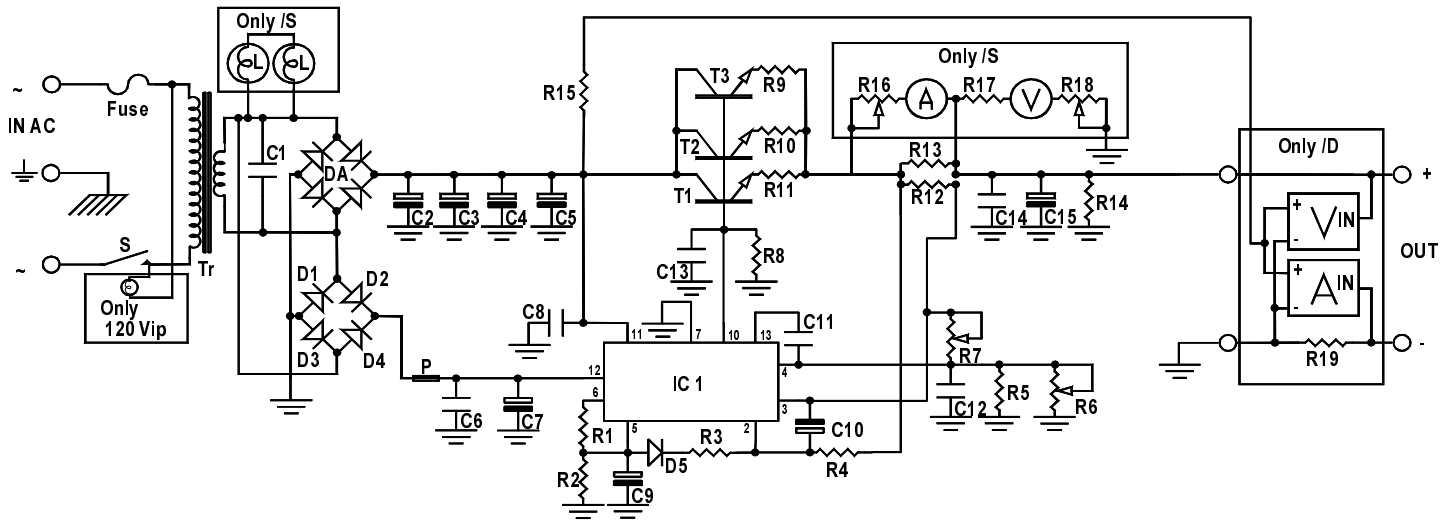


Mod. 112 S power supply

Schematic diagram

Version 3.10



List of components

C ₂	=	4700 μF	25 V
C ₃	=	4700 μF	25 V
C ₄	=	2200 μF	25 V
C ₆	=	100 nF	50 V
C ₇	=	47 μF	25 V
C ₈	=	100 nF	50 V
C ₉	=	2,2 μF	25 V
C ₁₀	=	2,2 μF	25 V
C ₁₁	=	470 pF	50 V
C ₁₂	=	150 pF	50 V
C ₁₃	=	100 nF	50 V
C ₁₄	=	100 nF	50 V
C ₁₅	=	22 μF	25 V
R ₁	=	2,2 KΩ	¼ W
R ₂	=	4,7 KΩ	¼ W
R ₃	=	470 Ω	¼ W
R ₄	=	470 Ω	¼ W
R ₆	=	Trimmer	4,7 KΩ
R ₇	=	Potentiometer	4,7 KΩ
R ₈	=	2,2 KΩ	¼ W
R ₉	=	Resistive wire	φ 0,8 mm x 20 mm
R ₁₁	=	Resistive wire	φ 0,8 mm x 20 mm
R ₁₂	=	Resistive wire coil	φ 1 mm 7 turn φ 6 mm
R ₁₃	=	Resistive wire coil	φ 1 mm 7 turn φ 6 mm
R ₁₄	=	2,2 KΩ	¼ W
R ₁₆	=	Trimmer	22 KΩ
R ₁₇	=	47 KΩ	¼ W
R ₁₈	=	Trimmer	220 KΩ
DA	=	Diode bridge	20 A
D ₁	=	1N 4004	
D ₂	=	1N 4004	
D ₃	=	1N 4004	
D ₄	=	1N 4004	
D ₅	=	1N4148	
T ₁	=	TIP 142	
T ₃	=	TIP 142	
P	=	0 Ω wire	
TR	=	Transformer	220 - 18 V 12 A
FUSE	=	Fuse	1,6A
IC ₁	=	LM 723	
L	=	Meter lamps	
S	=	Switch	(ON - OFF)