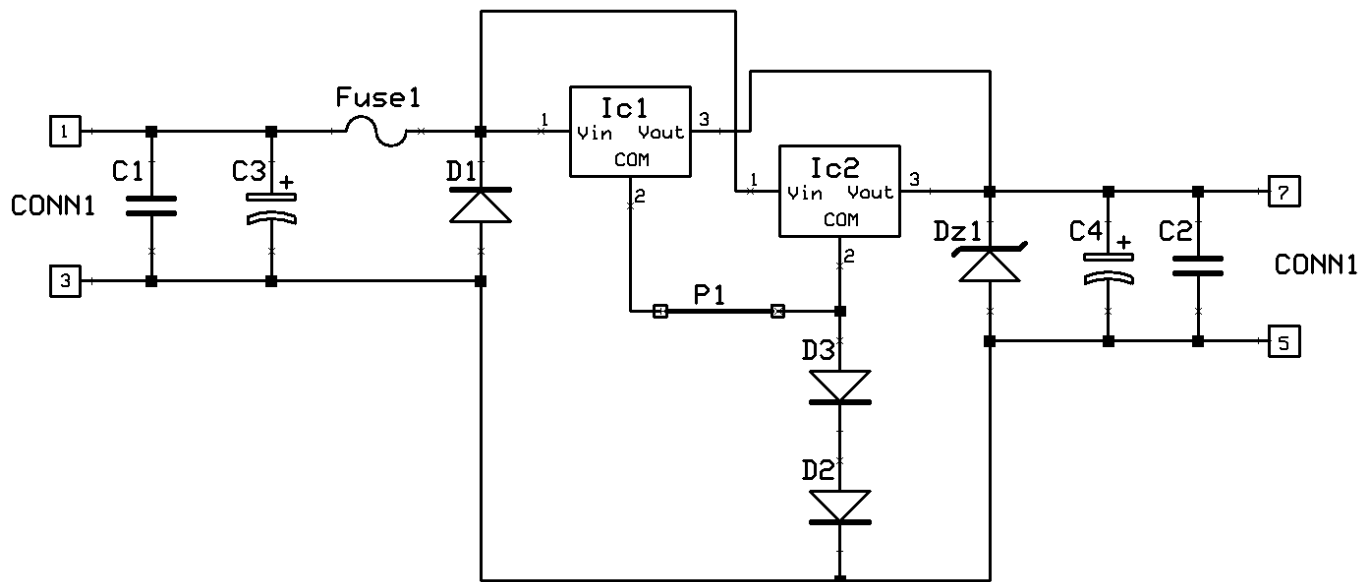


# Mod. RT 5 tension reducer

Schematic diagram

Version 3.00



## List of components

- C<sub>1</sub> = 10 nF 50V
- C<sub>2</sub> = 10 nF 50V
- C<sub>3</sub> = 33 μF 35 V
- C<sub>4</sub> = 33 μF 35 V
- D<sub>1</sub> = 1N5400
- D<sub>2</sub> = D<sub>3</sub> = 1N4004
- Dz<sub>1</sub> = Zener 15 V 5 W
- IC<sub>1</sub> = IC<sub>2</sub> = 7812
- Fuse<sub>1</sub> = 5 A

