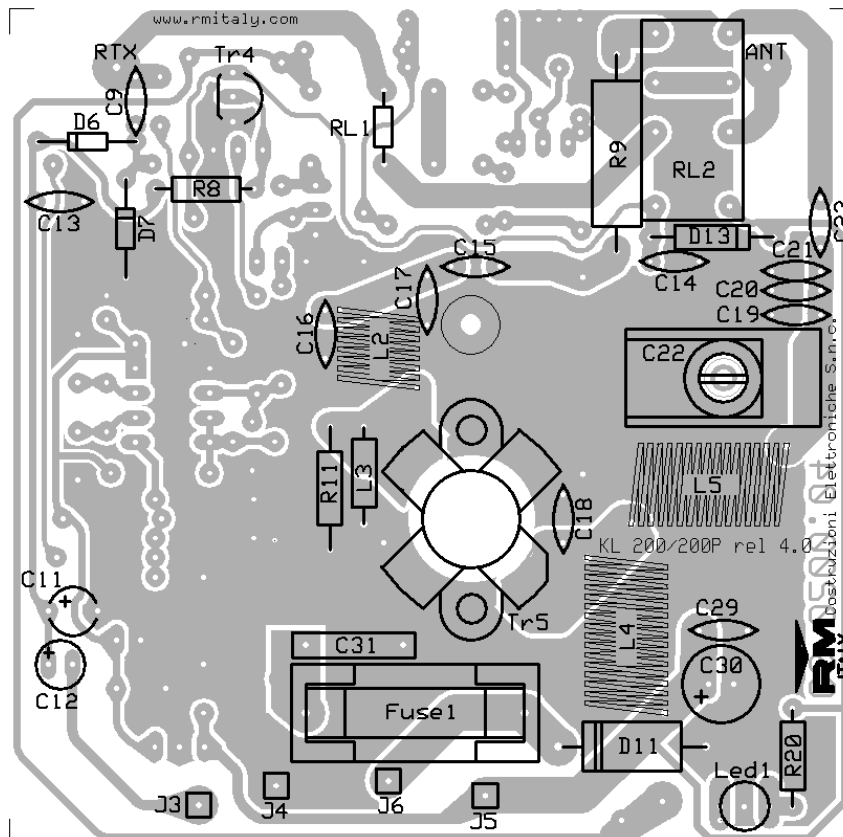
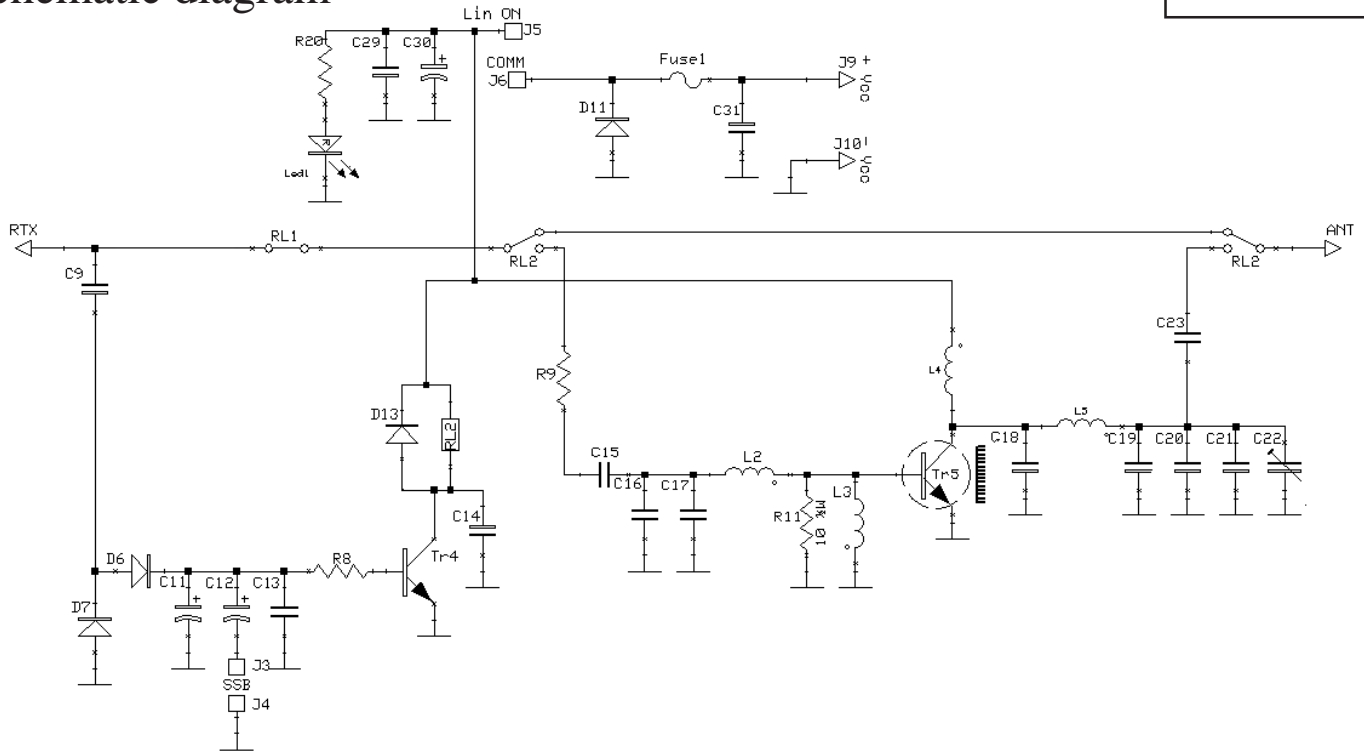


KL 243 linear amplifier

Schematic diagram

Version 3.00



List of components

C ₉	= 3,3 pF	50 V	N750
C ₁₁	= 4,7 μF	16 V	
C ₁₂	= 33 μF	16 V	
C ₁₃	= 10 nF	50 V	
C ₁₄	= 10 nF	50 V	
C ₁₅	= 47 pF	50 V	NP0
C ₁₆	= 270 pF	50 V	N750
C ₁₇	= 56 pF	50 V	NP0
C ₁₈	= 100 pF	500 V	NP0
C ₁₉	= 100 pF	500 V	NP0
C ₂₀	= 100 pF	500 V	NP0
C ₂₁	= 68 pF	500 V	NP0
C ₂₂	= Trimmer	16 - 100 pF	
C ₂₃	= 68 pF	500 V	NP0
C ₂₉	= 100 nF	50 V	
C ₃₀	= 47 μF	25 V	
C ₃₁	= 220 nF	100 V	Polyester
R ₈	= 2,2 KΩ	¼W	
R ₉	= 10 Ω	2W	
R ₁₁	= 10 Ω	½W	
R ₂₀	= 1,0 KΩ	¼W	
D ₆	= 1N4148		
D ₇	= 1N4148		
D ₁₁	= 1N5400		
Led ₁	= Led		
TR ₄	= BC 547		
TR ₅	= SD 1446		
L ₂	= 3 Turns φ 5 mm Wire φ 0,8 mm		
L ₃	= 10 μH		
L ₄	= 12 turns φ 6 mm wire φ 1 mm		
L ₅	= 2 turns φ 8 mm wire φ 1,2 mm		
RL ₁	= 0 Ω ¼W		
RL ₂	= Relè 12 V 3022		
Fuse ₁	= 12 A		