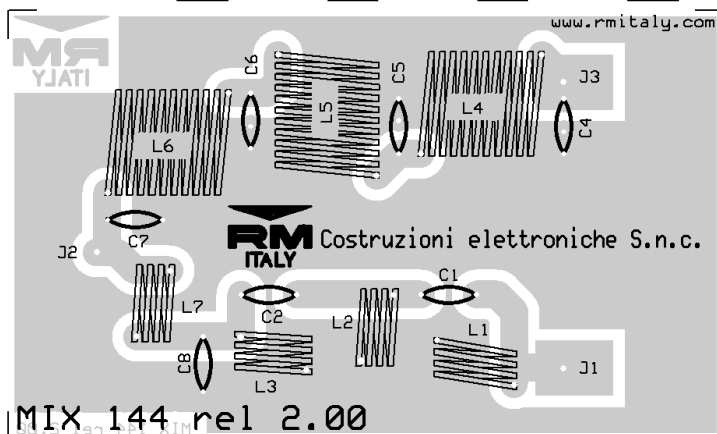
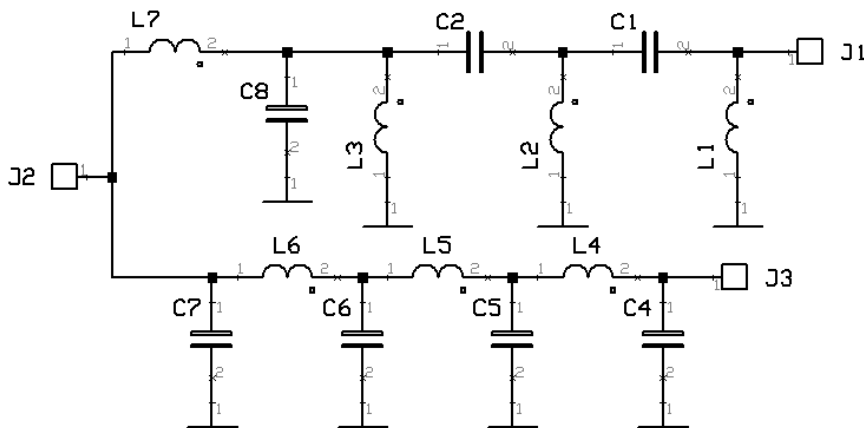


# Mod. MIX 144 antenna splitter

Schematic diagram

Version 2.00



## List of components

C <sub>1</sub>	= 12 pF	500 V	NP0
C <sub>2</sub>	= 10 pF	500 V	NP0
C <sub>4</sub>	= 33 pF	50 V	NP0
C <sub>5</sub>	= 82 pF	50 V	NP0
C <sub>6</sub>	= 47 pF	50 V	NP0
C <sub>7</sub>	= 10 pF	500 V	NP0
C <sub>8</sub>	= 22 pF	500 V	NP0
L <sub>1</sub>	= ANRA 309/2		
L <sub>2</sub>	= 3 turn wire	∅ 0.8 mm	on ∅ 5 mm
L <sub>3</sub>	= 3 turn wire	∅ 0.8 mm	on ∅ 5 mm
L <sub>4</sub>	= 4 turn wire	∅ 0.8 mm	on ∅ 8 mm
L <sub>5</sub>	= 4 turn wire	∅ 0.8 mm	on ∅ 8 mm
L <sub>6</sub>	= 4 turn wire	∅ 0.8 mm	on ∅ 8 mm
L <sub>7</sub>	= 3 turn wire	∅ 0.8 mm	on ∅ 5 mm