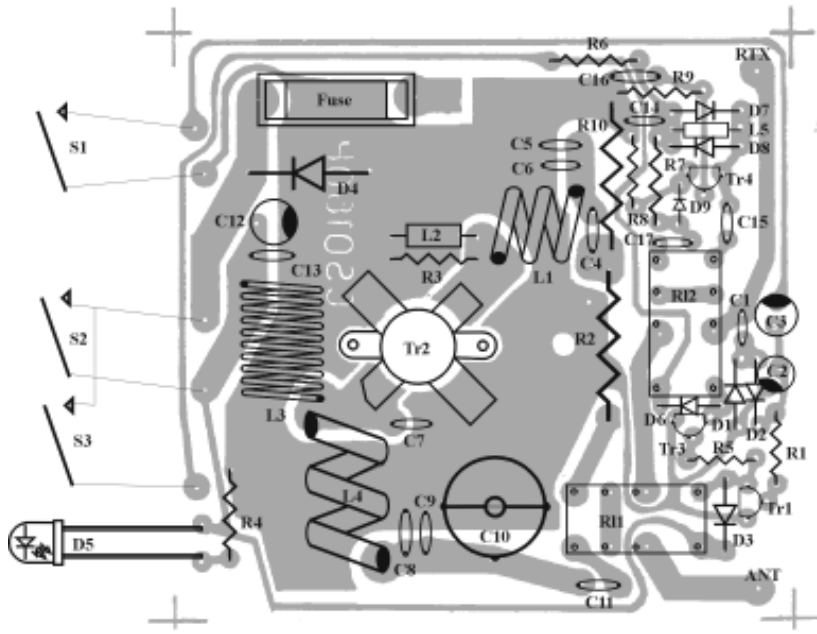
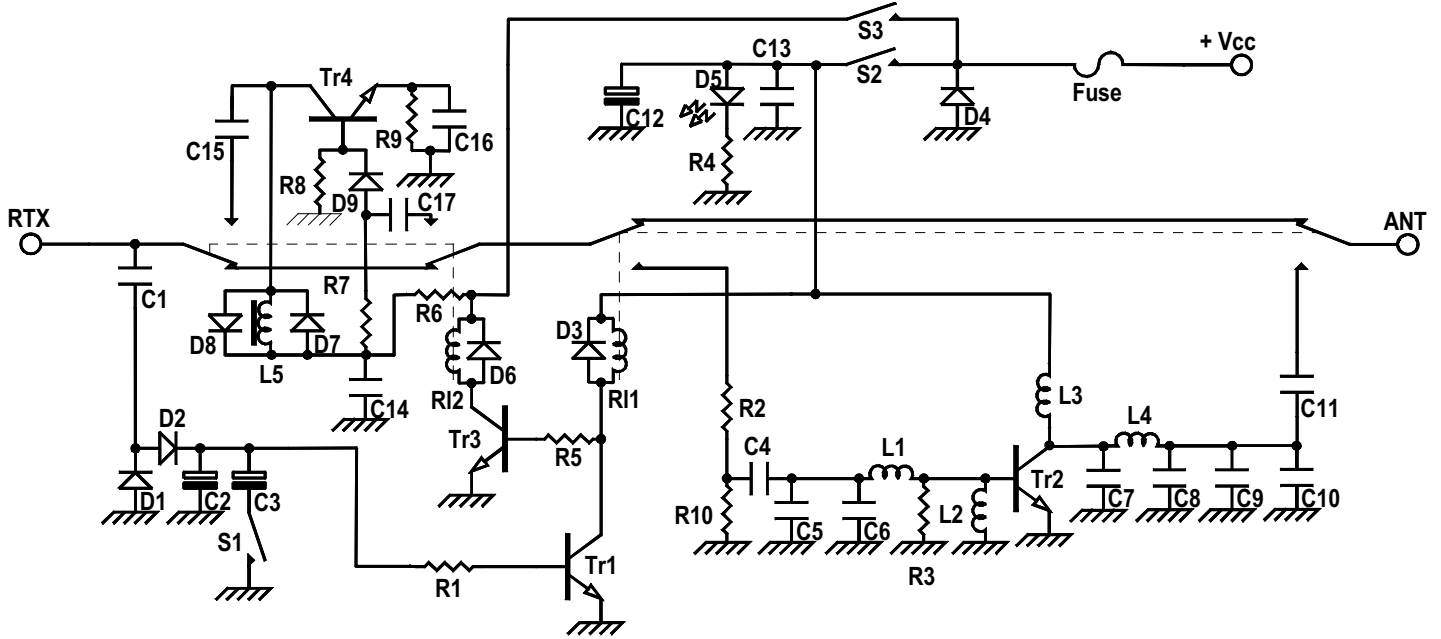


Mod. 160 p linear amplifier

Schematic diagram

Version 2.00



List of components

C₁ = 8,2 pF 50 V N750
 C₂ = 4,7 μF 16 V
 C₃ = 33 μF 16 V
 C₄ = 100 pF 50 V N750
 C₅ = 220 pF 50 V N750
 C₆ = 270 pF 50 V N750
 C₇ = 120 pF 500 V N750
 C₈ = 220 pF 500 V N750
 C₉ = 270 pF 500 V N750
 C₁₀ = 120 pF 500 V N750
 C₁₁ = 270 pF 500 V N750
 C₁₂ = 33 μF 16 V
 C₁₃ = 100 nF 50 V
 C₁₄ = 10 nF 50 V
 C₁₅ = 150 pF 50 V N750
 C₁₆ = 470 pF 50 V N750
 C₁₇ = 56 pF 50 V N750
 R₁ = 2,2 KΩ ¼W
 R₂ = 22 Ω 2W
 R₃ = 10 Ω ½W
 R₄ = 1,0 KΩ ¼W
 R₅ = 12 KΩ ¼W
 R₆ = 100 Ω ¼W
 R₇ = 12 KΩ ¼W
 R₈ = 2,2 KΩ ¼W
 R₉ = 100 Ω ¼W
 R₁₀ = 120 Ω 2W
 D₁ = D₂ = D₇ = D₈ = D₉ = 1N4148
 D₃ = D₆ = 1N4004
 D₄ = 1N5400
 D₈ = Led
 TR₁ = TR₃ = BC 547
 TR₂ = SD 1446
 TR₄ = BF 199
 S₁ = Switch (AM - SSB)
 S₂ = Switch (ON - OFF)
 S₃ = Switch (Pre ON - OFF)
 L₁ = 3 turns φ 8 mm wire φ 0,8 mm
 L₂ = L₅ = 10 μH
 L₃ = 12 turns φ 6 mm wire φ 1 mm
 L₄ = 3 turns φ 8 mm wire φ 1,2 mm
 RL₁ = RL₂ = Relè 12 V 3022
 Fuse = 12 A