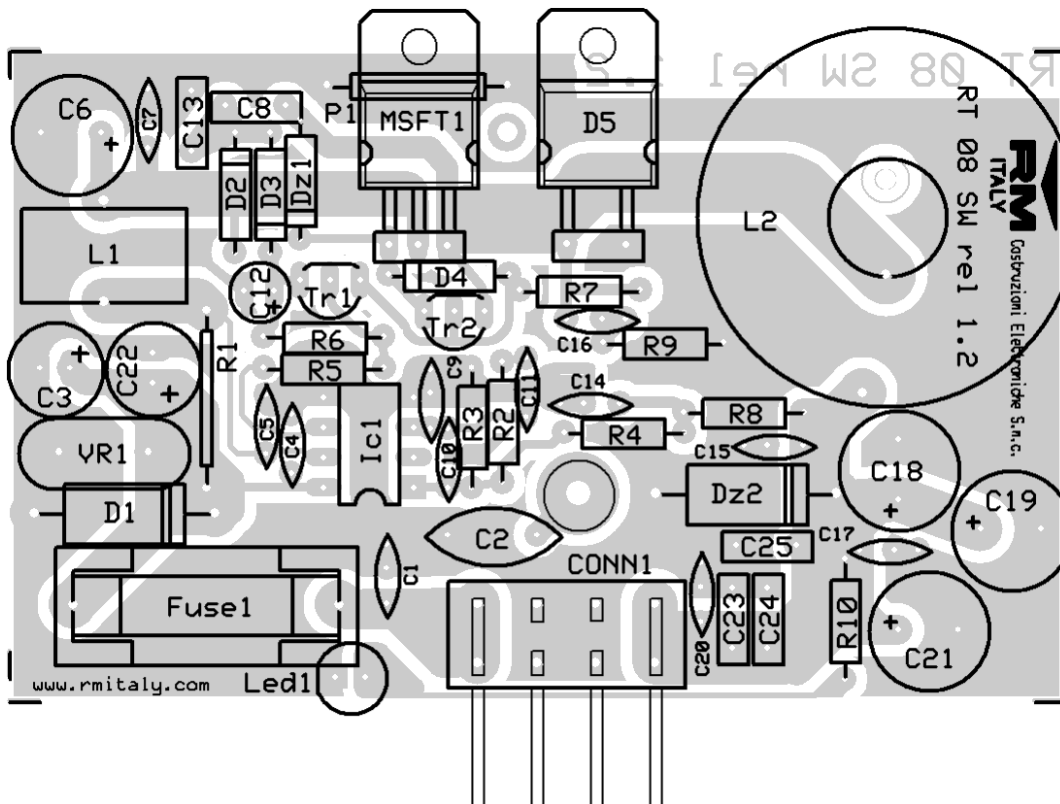
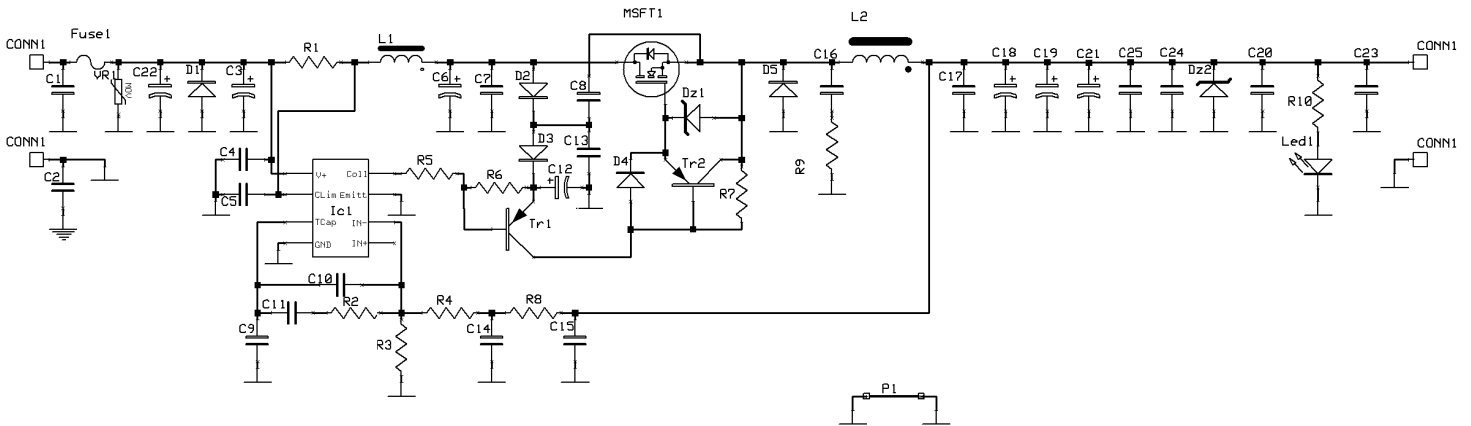


Mod. RT 08 SW tension reducer

Schematic diagram

Version 1.20



List of components

C ₁	=	10 nF	50 V	L ₁	=	100 μH
C ₂	=	10 nF	50 V	L ₂	=	55 μH
C ₃	=	220 μF	35 V	MFST ₁	=	BUZ 11
C ₄	=	100 nF	50 V	Vr ₁	=	not present
C ₅	=	10 nF	50 V			
C ₆	=	330 μF	35 V			
C ₇	=	100 nF	50 V			
C ₈	=	33 nF	63 V Polyester			
C ₉	=	1,0 nF	63 V Polyester			
C ₁₀	=	22 pF	50 V			
C ₁₁	=	2,2 nF	63 V Polyester			
C ₁₂	=	4,7 μF	50 V			
C ₁₃	=	10 nF	50 V			
C ₁₄	=	10 nF	50 V			
C ₁₅	=	10 nF	50 V			
C ₁₆	=	10 nF	50 V			
C ₁₇	=	10 nF	50 V			
C ₁₈	=	470 μF	25 V			
C ₁₉	=	470 μF	25 V			
C ₂₀	=	100 nF	50 V			
C ₂₁	=	470 μF	25 V			
C ₂₂	=	200 μF	35 V			
C ₂₃	=	10 nF	50 V			
C ₂₄	=	not present				
C ₂₅	=	not present				
R ₁	=	Resistive wire	20mm ø0.8mm			
R ₂	=	220 KΩ	¼ W			
R ₃	=	10 KΩ	¼ W			
R ₄	=	120 KΩ	¼ W			
R ₅	=	1,5 KΩ	¼ W			
R ₆	=	1,2 KΩ	¼ W			
R ₇	=	2,2 KΩ	¼ W			
R ₈	=	100 Ω	¼ W			
R ₉	=	10 Ω	¼ W			
R ₁₀	=	2,2 KΩ	¼ W			
P ₁	=	0 Ω				
D ₁	=	1N 5400				
D ₂	=	1N4148				
D ₃	=	1N4148				
D ₄	=	1N4148				
D ₅	=	BYW 29				
Dz1	=	15 V ½W				
Dz2	=	15 V 5W 1N5353				
Dl1	=	Green Led				
Tr1	=	BC 327				
Tr2	=	BC 327				
Fuse	=	Fuse 6 A				
Ic1	=	LM 3578AN				