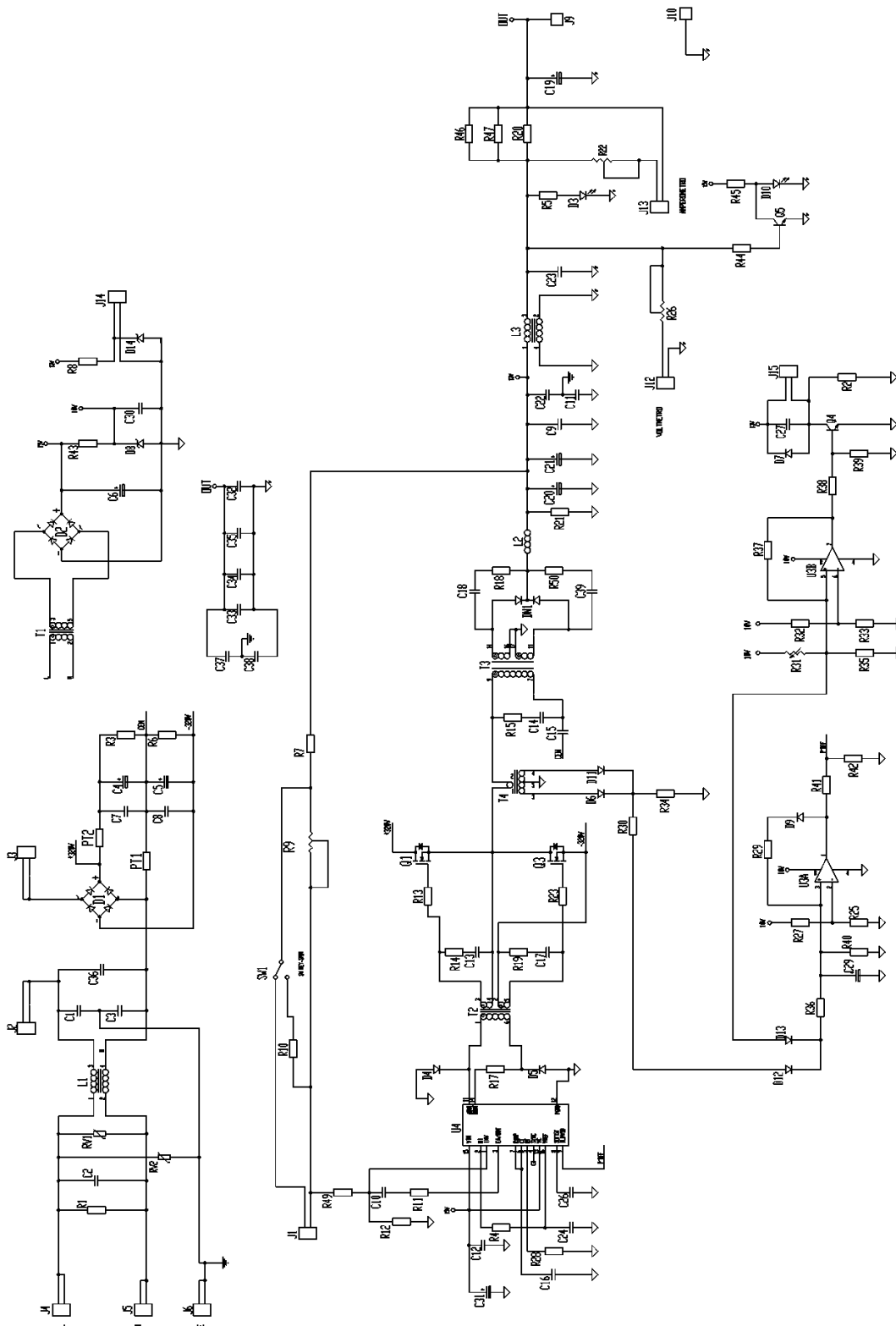
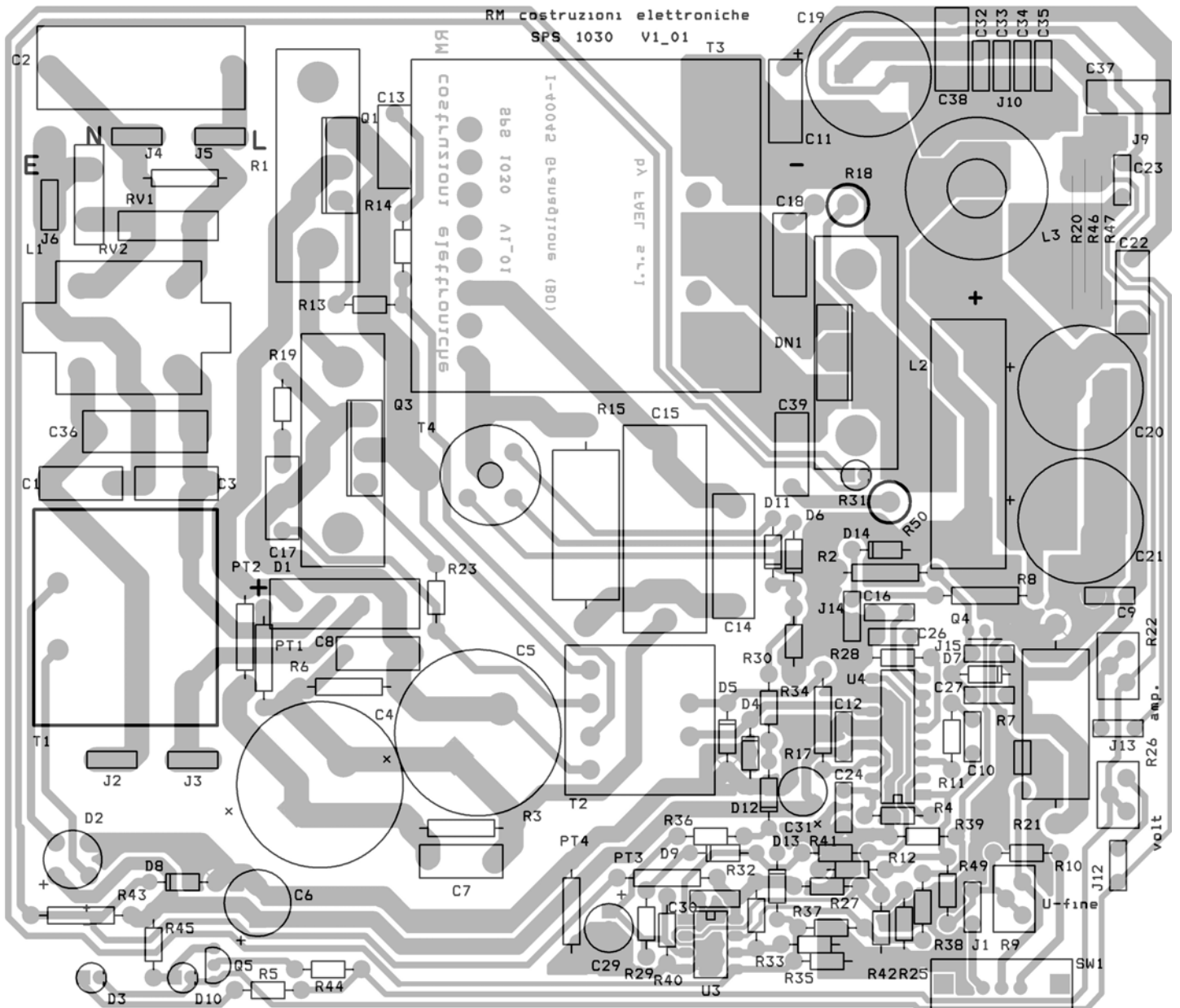


Mod. SPS 1030 Power supply

Schematic diagram

Version 1.01





List of components

C 1 =	10 nF	275 V~ Y	
C 2 =	680 nF	275 V~ X2	
C 3 =	10 nF	275 V~ Y	
C 4 =	680 µF	200 V	
C 5 =	680 µF	200 V	
C 6 =	470 µF	25 V	
C 7 =	10 nF	630 V	
C 8 =	10 nF	630 V	
C 9 =	100 nF	50 V	Polyester
C 10 =	2,2 nF	50 V	Polyester
C 11 =	1,0 µF	100 V	Polyester
C 12 =	100 nF	50 V	Polyester
C 13 =	10 nF	630 V	
C 14 =	1,0 nF	3 KV	Ceramic
C 15 =	2,2 µF	250 V	Polyester
C 16 =	1,0 nF	50 V	Polyester

C 17 =	10 nF	630 V	
C 18 =	10 nF	630 V	
C 19 =	2200 µF	25 V	105 °C
C 20 =	2200 µF	25 V	105 °C
C 21 =	2200 µF	25 V	105 °C
C 22 =	1,0 µF	100 V	Polyester
C 23 =	100 nF	50 V	Polyester
C 24 =	100 nF	50 V	Polyester
C 25 =	not present		
C 26 =	100 nF	50 V	Polyester
C 27 =	100 nF	50 V	Polyester
C 28 =	not present		
C 29 =	10 µF	25 V	
C 30 =	100 nF	50 V	Polyester
C 31 =	100 µF	25 V	
C 32 =	470 pF	50 V	Ceramic
C 33 =	100 pF	50 V	Ceramic

C ₃₄ =	10 nF	50 V	Polyester	R ₄₅ =	1,0 K Ω	¼ W
C ₃₅ =	100 nF	50 V	Polyester	R ₄₆ =	20 mm ϕ 1 mm resistive wire	
C ₃₆ =	220 nF	275 V~ X2		R ₄₇ =	20 mm ϕ 1 mm resistive wire	
C ₃₇ =	1,0 μ F	100 V	Polyester	R ₄₈ =	not present	
C ₃₈ =	1,0 μ F	100 V	Polyester	R ₄₉ =	220 Ω	¼ W
C ₃₉ =	10 nF	630 V		R ₅₀ =	120 Ω	2 W
R ₁ =	470 K Ω	½ W		RV ₁ =	275 Vac	
R ₂ =	68 Ω	1 W		RV ₂ =	275 Vac	
R ₃ =	47 K Ω	2 W		D ₁ =	KBU 806	
R ₄ =	3,3 K Ω	¼ W		D ₂ =	Diode Bridge 1,5 A	
R ₅ =	1,0 K Ω	¼ W		D ₃ =	Green Led	
R ₆ =	47 K Ω	2 W		D ₄ =	1N 5819	
R ₇ =	2,2 K Ω	¼ W		D ₅ =	1N 5819	
R ₈ =	not present			D ₆ =	1N 4148	
R ₉ =	4,7 K Ω	Trimmer		D ₇ =	1N4007	
R ₁₀ =	not present			D ₈ =	Zener 10 V 1,3 W	
R ₁₁ =	4,7 K Ω	¼ W		D ₉ =	1N 4148	
R ₁₂ =	3,3 K Ω	¼ W		D ₁₀ =	Red Led	
R ₁₃ =	47 Ω	¼ W		D ₁₁ =	1N 4148	
R ₁₄ =	220 Ω	¼ W		D ₁₂ =	1N 4148	
R ₁₅ =	1,0 K Ω	5 W		D ₁₃ =	1N 4148	
R ₁₆ =	not present			DN ₁ =	BYW 99P	
R ₁₇ =	47 Ω	1 W		Q ₁ =	IRFP 450	
R ₁₈ =	120 Ω	2 W		Q ₂ =	not present	
R ₁₉ =	220 Ω	¼ W		Q ₃ =	IRFP 450	
R ₂₀ =	20 mm ϕ 1 mm resistive wire			Q ₄ =	BC 337-25	
R ₂₁ =	56 Ω	5 W		Q ₅ =	BC 337-25	
R ₂₂ =	not present			U ₃ =	LM 358N	
R ₂₃ =	47 Ω	¼ W		U ₄ =	UC 3825	
R ₂₄ =	not present			T ₁ =	230V-12V 2.3VA	
R ₂₅ =	4,7 K Ω	¼ W		T ₂ =	TrasfPil 1030	
R ₂₆ =	not present			T ₃ =	TrasfPot 1030	
R ₂₇ =	2,2 K Ω	¼ W		T ₄ =	Sens. Corr	
R ₂₈ =	15 K Ω	¼ W		L ₁ =	5,5 mH	
R ₂₉ =	1,0 K Ω	¼ W		L ₂ =	10 μ H 30 A ANRA 716	
R ₃₀ =	1,0 K Ω	¼ W		L ₃ =	2 x 100 μ H	
R ₃₁ =	4,7 K Ω	NTC		Fan =	Fan 12V 60 x 60 mm	
R ₃₂ =	3,3 K Ω	¼ W				
R ₃₃ =	2,2 K Ω	¼ W				
R ₃₄ =	330 Ω	¼ W				
R ₃₅ =	1,0 K Ω	¼ W				
R ₃₆ =	1,0 K Ω	¼ W				
R ₃₇ =	2,2 K Ω	¼ W				
R ₃₈ =	1,0 K Ω	¼ W				
R ₃₉ =	1,0 K Ω	¼ W				
R ₄₀ =	15 K Ω	¼ W				
R ₄₁ =	4,7 K Ω	¼ W				
R ₄₂ =	1,0 K Ω	¼ W				
R ₄₃ =	47 Ω	1 W				
R ₄₄ =	2,2 K Ω	¼ W				