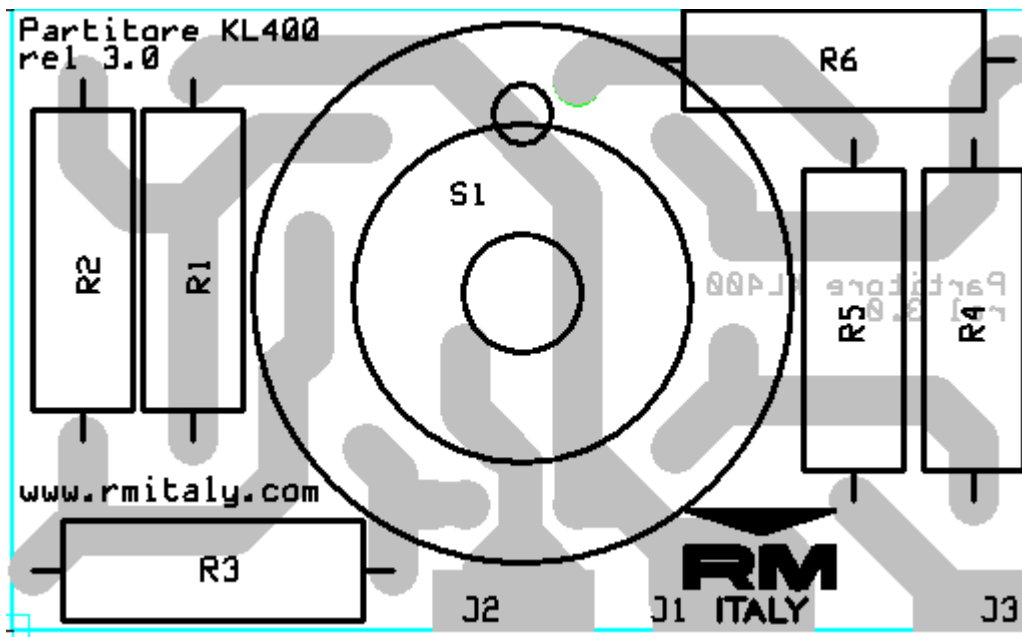
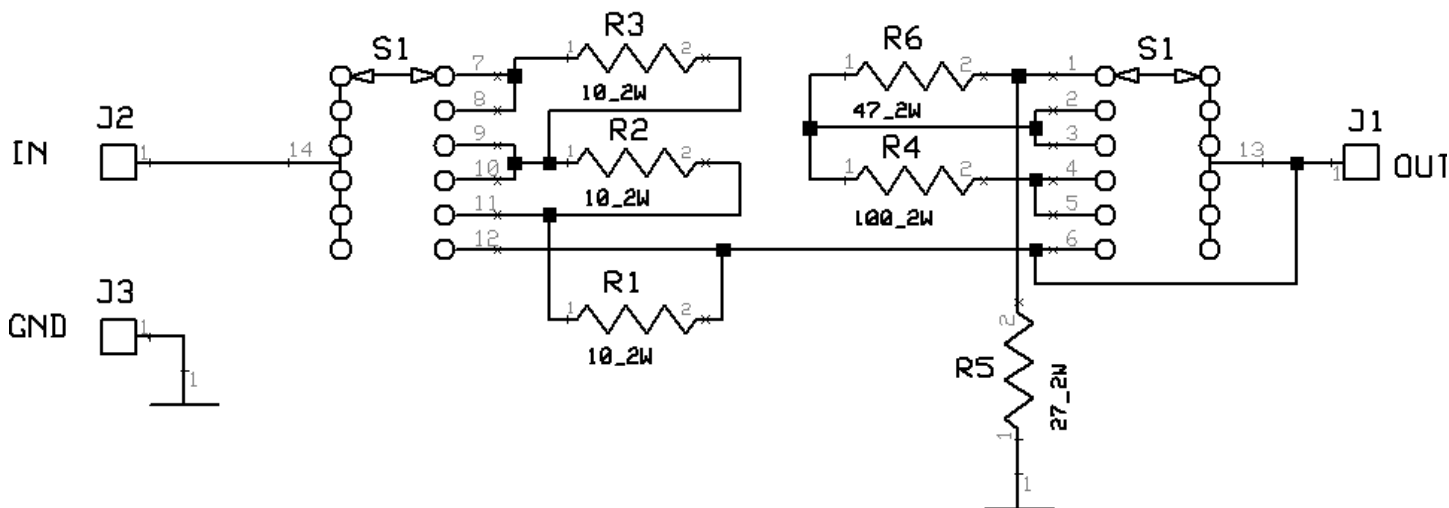


RF attenuator KL 400 - 500 - 500/24

Schematic diagram

Version 3.00



List of components

- R₁ = 10 Ω 2W
- R₂ = 10 Ω 2W
- R₃ = 10 Ω 2W
- R₄ = 100 Ω 2W
- R₅ = 27 Ω 2W
- R₄ = 47 Ω 2W
- S₁ = Switch 2 Way 6 Positions