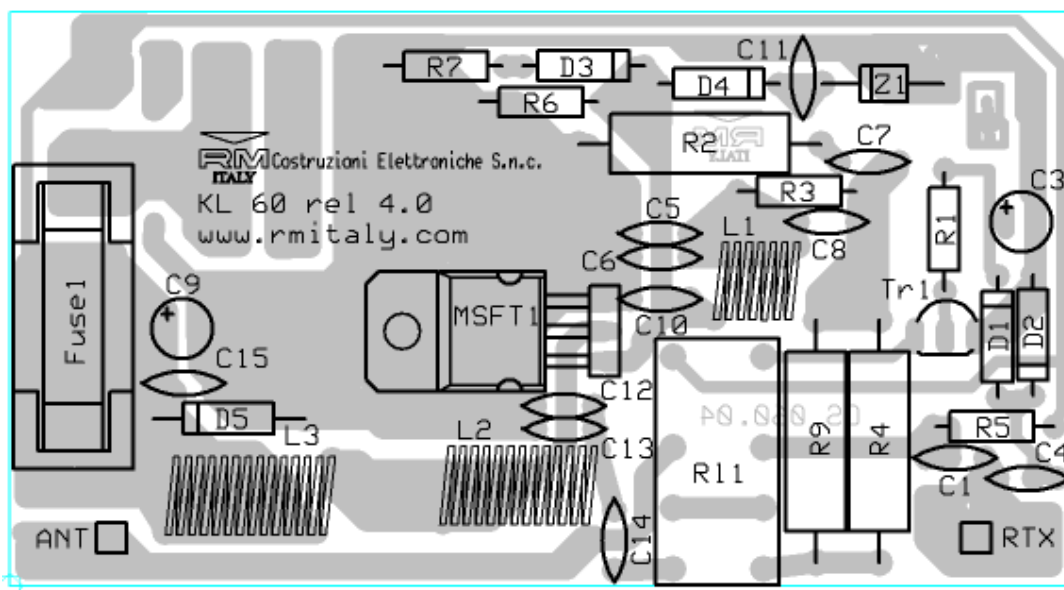
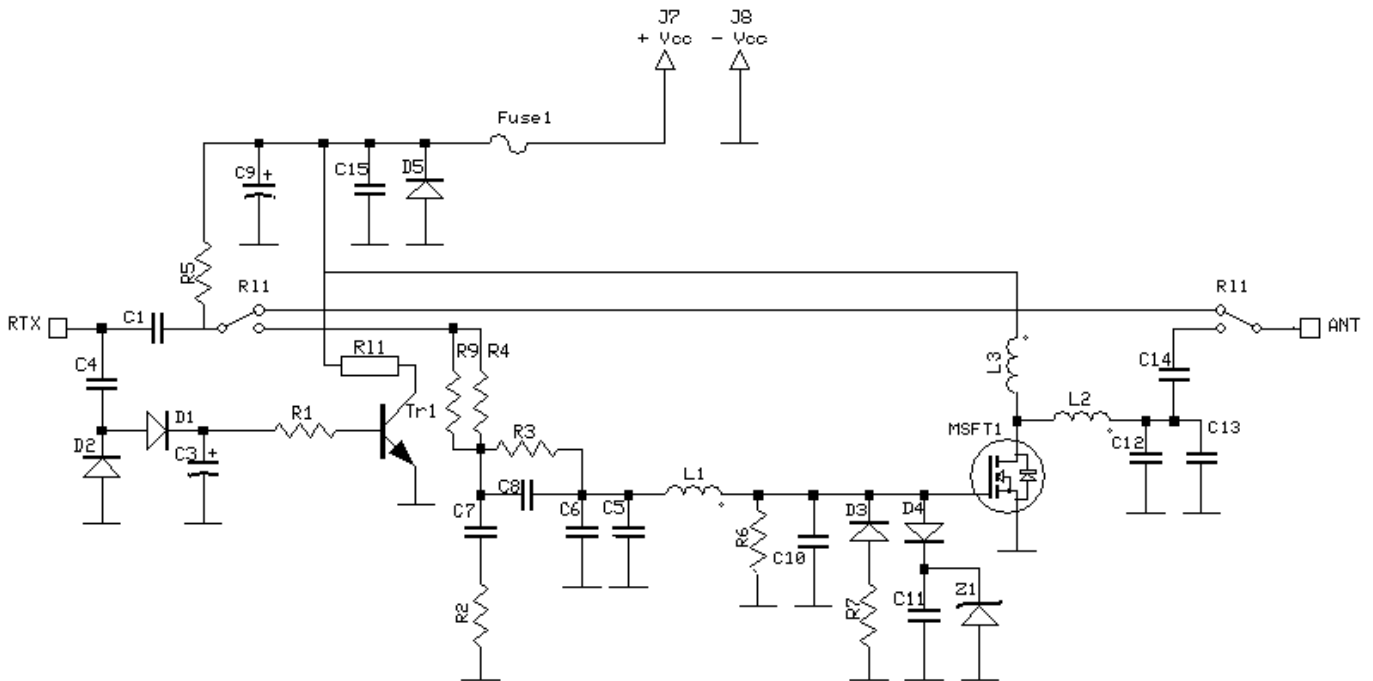


# Mod. KL 35 linear amplifier

Schematic diagram

Version 4.00



**List of components**

|   |                                 |      |            |
|---|---------------------------------|------|------------|
| C <sub>1</sub>  | = 10 nF                         | 50 V |            |
| C <sub>3</sub>  | = 10 μF                         | 16 V |            |
| C <sub>4</sub>  | = 8,2 pF                        | 50 V | N750       |
| C <sub>5</sub>  | = 220 pF                        | 50 V | N750       |
| C <sub>6</sub>  | = 120 pF                        | 50 V | N750       |
| C <sub>7</sub>  | = 10 nF                         | 50 V |            |
| C <sub>8</sub>  | = 470 pF                        | 50 V | N750       |
| C <sub>9</sub>  | = 33 μF                         | 16 V |            |
| C <sub>10</sub>   | = 270 pF                        | 50 V | N750       |
| C <sub>11</sub>   | = 10 nF                         | 50 V |            |
| C <sub>12</sub>   | = 150 pF                        | 50 V | N750       |
| C <sub>13</sub>   | = 150 pF                        | 50 V | N750       |
| C <sub>14</sub>   | = 100 pF                        | 50 V | N750       |
| C <sub>15</sub>   | = 100 nF                        | 50 V |            |
| R <sub>1</sub>  | = 2,2 KΩ                        | ¼W   |            |
| R <sub>2</sub>  | = 100 Ω                         | 2W   |            |
| R <sub>3</sub>  | = 12 KΩ                         | ¼W   |            |
| R <sub>4</sub>  | = 68 Ω                          | 2W   |            |
| R <sub>5</sub>  | = 12 KΩ                         | ¼W   |            |
| R <sub>6</sub>  | = 4,7 KΩ                        | ¼W   |            |
| R <sub>7</sub>  | = 1,8 KΩ                        | ½W   |            |
| R <sub>9</sub>  | = 68 Ω                          | 2W   |            |
| D <sub>1</sub> = D <sub>2</sub> = D <sub>3</sub> = D <sub>4</sub> | = 1N4148                        |      |            |
| D <sub>5</sub>  | = 1N4007                        |      |            |
| Z <sub>1</sub>  | = Zener                         | 20 V | 1W         |
| TR <sub>1</sub>   | = BC 547 B                      |      |            |
| Msft <sub>1</sub>   | = MOS RM3                       |      |            |
| L <sub>1</sub>  | = 7 turns φ 5 mm wire φ 0,8 mm  |      | ANRA 289-2 |
| L <sub>2</sub>  | = 6 turns φ 5 mm wire φ 0,8 mm  |      | ANRA 289-1 |
| L <sub>3</sub>  | = 12 turns φ 5 mm wire φ 0,8 mm |      | ANRA 319   |
| RI <sub>1</sub>   | = Relè 12 V 3022                |      |            |
| Fuse  | = 5 A                           |      |            |