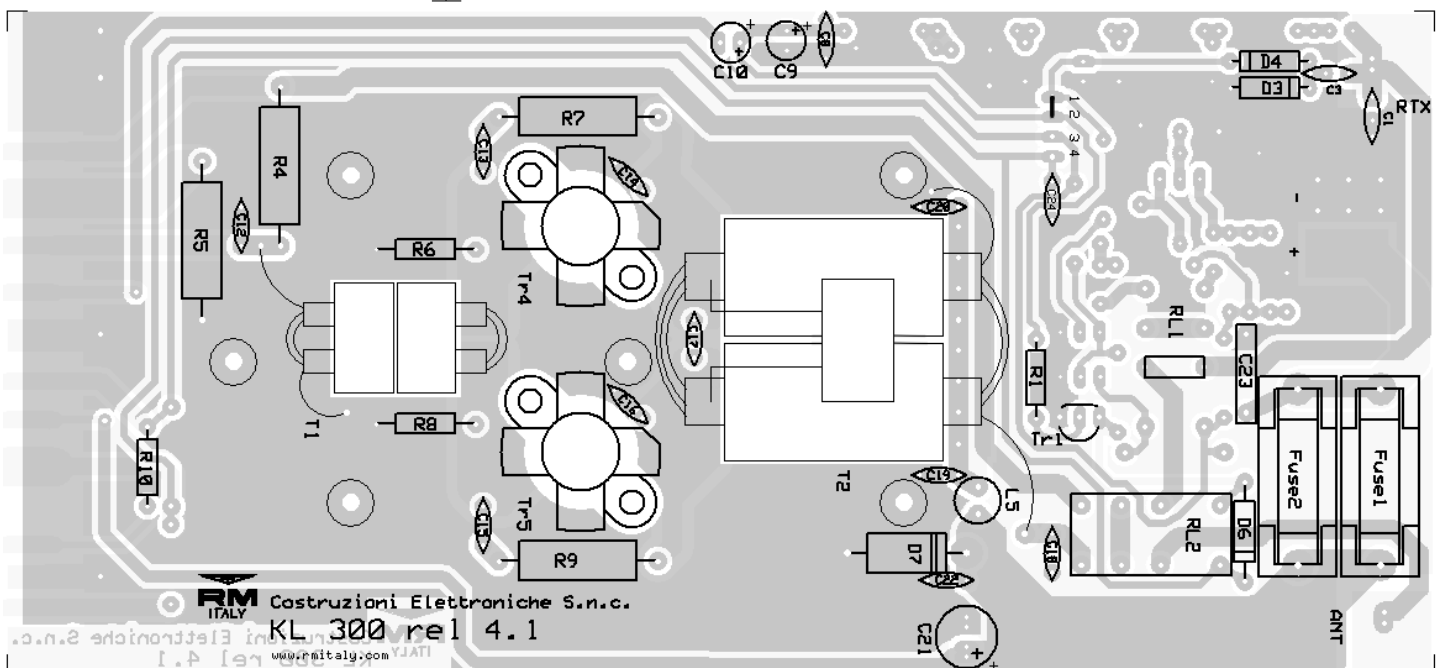
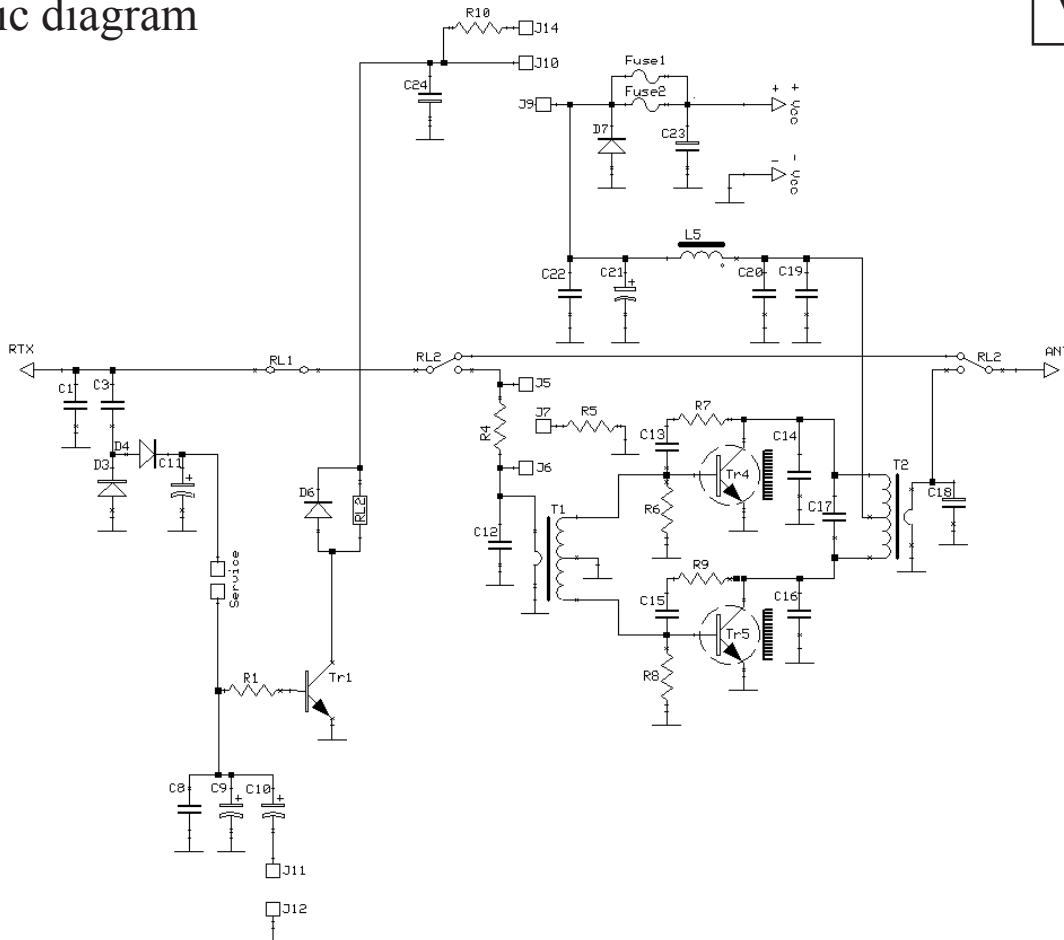


Mod. KL 300 linear amplifier

Schematic diagram

Version 4.20



List of components

C ₁	= 33 pF	50 V	N750
C ₃	= 8,2 pF	50 V	N750
C ₈	= 10 nF	50 V	
C ₉	= 4,7 μF	16 V	
C ₁₀	= 33 μF	16 V	
C ₁₂	= 150 pF	50 V	N750
C ₁₃	= 47 nF	50 V	
C ₁₄	= 180 pF	500 V	N750
C ₁₅	= 47 nF	50 V	
C ₁₆	= 180 pF	500 V	N750
C ₁₇	= 750 pF	500 V	MICA
C ₁₈	= 47 pF	1000 V	N750
C ₁₉	= 100 nF	50 V	
C ₂₀	= 100 nF	50 V	
C ₂₁	= 470 μF	25V	
C ₂₂	= 100 nF	50 V	
C ₂₃	= 470 nF	63 V	Polyester
C ₂₄	= 100 nF	50 V	
R ₁	= 2,2 KΩ	¼W	
R ₄	= 27 Ω	2W	
R ₅	= 180 Ω	2W	
R ₆	= 10 Ω	½W	
R ₇	= 68 Ω	2W	
R ₈	= 10 Ω	½W	
R ₉	= 68 Ω	2W	
R ₁₀	= 1,0 KΩ	¼W	
D ₃	= 1N4148		
D ₄	= 1N4148		
D ₆	= 1N4007		
D ₇	= 1N5400		
Tr ₁	= BC 547		
Tr ₄	= MRF455 Macom		
Tr ₅	= MRF455 Macom		
L ₅	= VK 200 2 Wires		
T ₁	= Input Transformer		
T ₂	= Output Transformer		
R _l	= Relè 12 V 3022		
Fuse	= 2 x 12 A		