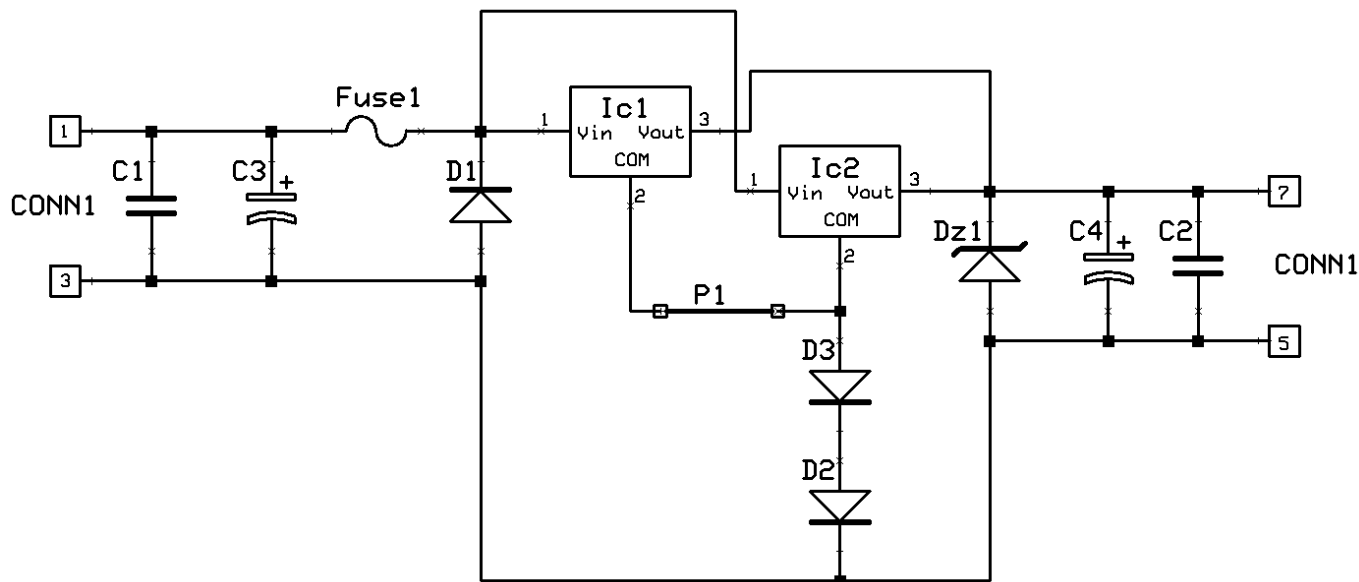


Mod. RT 5 tension reducer

Schematic diagram

Version 3.00



List of components

- C₁ = 10 nF 50V
- C₂ = 10 nF 50V
- C₃ = 33 μF 35 V
- C₄ = 33 μF 35 V
- D₁ = 1N5400
- D₂ = D₃ = 1N4004
- Dz₁ = Zener 15 V 5 W
- IC₁ = IC₂ = 7812
- Fuse₁ = 5 A

