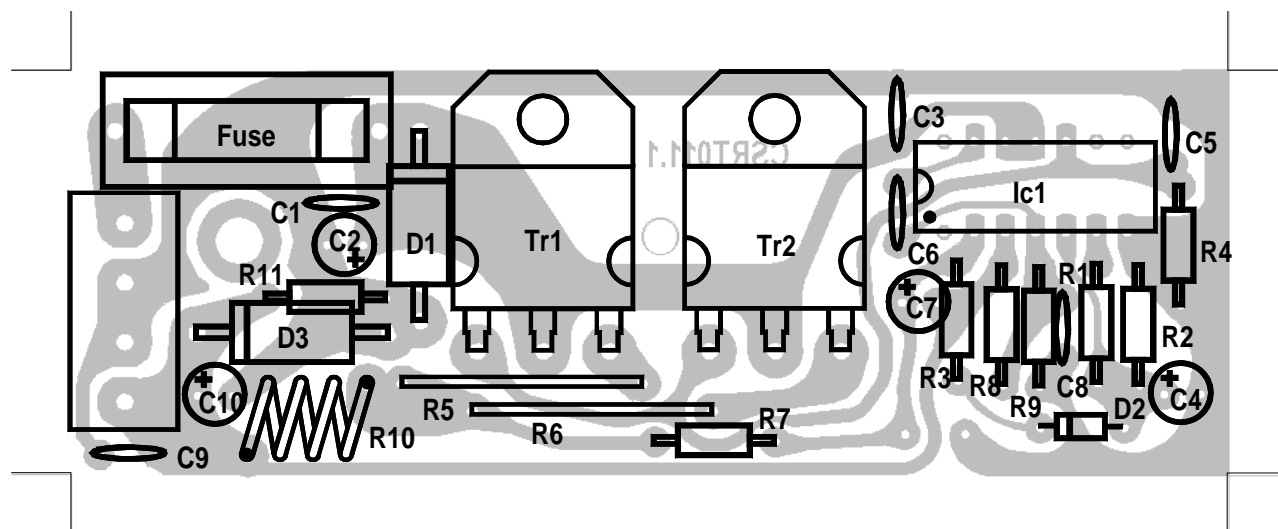
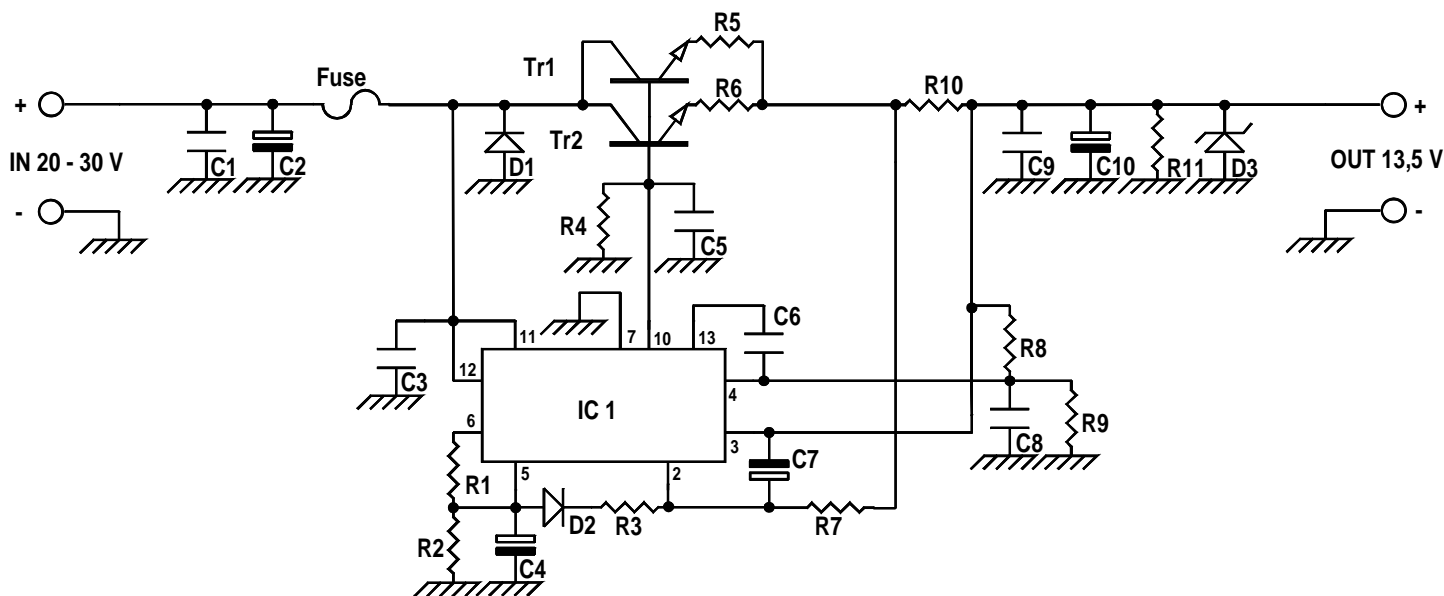


Mod. RT 10 tension reducer

Schematic diagram

Version 3.00



List of components

C ₁	= 100 nF	50 V
C ₂	= 22 μF	35 V
C ₃	= 100 nF	50 V
C ₄	= 2,2 μF	25 V
C ₅	= 100 nF	50 V
C ₆	= 470 pF	50 V
C ₇	= 2,2 μF	25 V
C ₈	= 150 pF	50 V
C ₉	= 100 nF	50 V
C ₁₀	= 22 μF	25 V
R ₁	= 1,2 KΩ	¼W
R ₂	= 3,9 KΩ	¼W
R ₃	= 470 Ω	¼W
R ₄	= 2,2 KΩ	¼W
R ₅	= 20 mm resistive wire	0,8 mm
R ₆	= 20 mm resistive wire	0,8 mm
R ₇	= 470 Ω	¼W
R ₈	= 82 KΩ	¼W
R ₉	= 56 KΩ	¼W
R ₁₀	= 4 turns ∅ 6 mm resistive wire	1 mm
R ₁₁	= 2,2 KΩ	¼W
D ₁	= 1N5400	
D ₂	= 1N4148	
D ₃	= 1N5353B	
Tr ₁	= TIP 142	
Tr ₂	= TIP 142	
IC ₁	= LM 723	
Fuse	= 10 A	