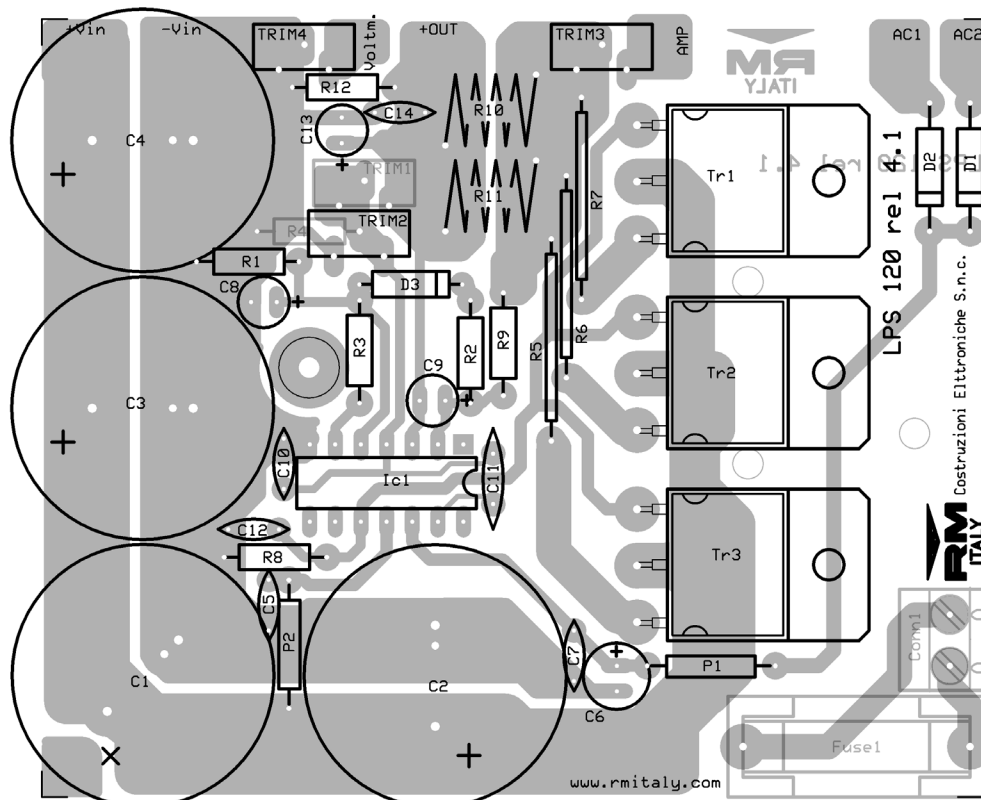
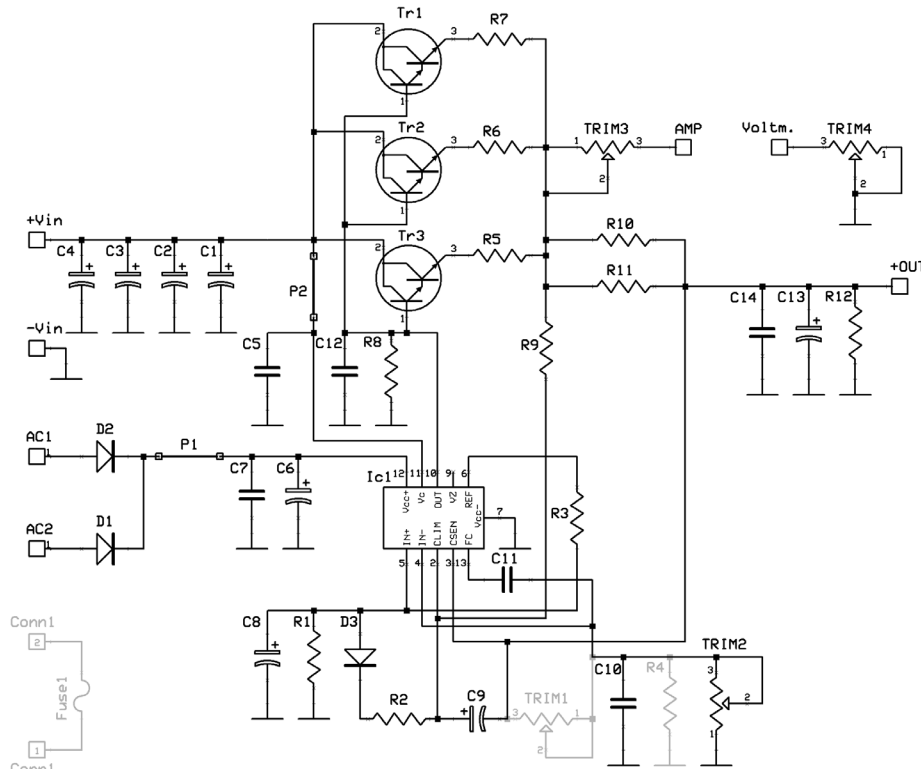


Mod. 120 S power supply

Schematic diagram

Version 4.10



List of components

C₁ = 4700 μ F 25 V
C₂ = 4700 μ F 25 V
C₃ = 4700 μ F 25 V
C₄ = 4700 μ F 25 V
C₅ = 100 nF 50 V
C₆ = 47 μ F 25 V
C₇ = 100 nF 50 V
C₈ = 2,2 μ F 25 V
C₉ = 2,2 μ F 25 V
C₁₀ = 150 pF 50 V
C₁₁ = 470 pF 50 V
C₁₂ = 100 nF 50 V
C₁₃ = 22 μ F 25 V
C₁₄ = 100 nF 50 V
R₁ = 4,7 K Ω 1/4 W
R₂ = 470 Ω 1/4 W
R₃ = 2,2 K Ω 1/4 W
R₄ = Not present
R₅ = Resistive wire ϕ 0,8 mm x 20 mm
R₆ = Resistive wire ϕ 0,8 mm x 20 mm
R₇ = Resistive wire ϕ 0,8 mm x 20 mm
R₈ = 2,2 K Ω 1/4 W
R₉ = 470 Ω 1/4 W
R₁₀ = Resistive wire coil ϕ 1 mm 4 turn ϕ 6 mm
R₁₁ = Resistive wire coil ϕ 1 mm 4 turn ϕ 6 mm
R₁₂ = 2,2 K Ω 1/4 W
TRIM₁ = Not present
TRIM₂ = Trimmer 4,7 K Ω
TRIM₃ = Trimmer 22 K Ω
TRIM₄ = Trimmer 220 K Ω
D₁ = 1N 4004
D₂ = 1N 4004
D₃ = 1N4148
T₁ = TIP 142
T₂ = TIP 142
T₃ = TIP 142
IC₁ = LM 723
P₁ = 0 Ω wire
P₂ = 0 Ω wire
Fuse₁ = Not present
Conn₁ = Not present