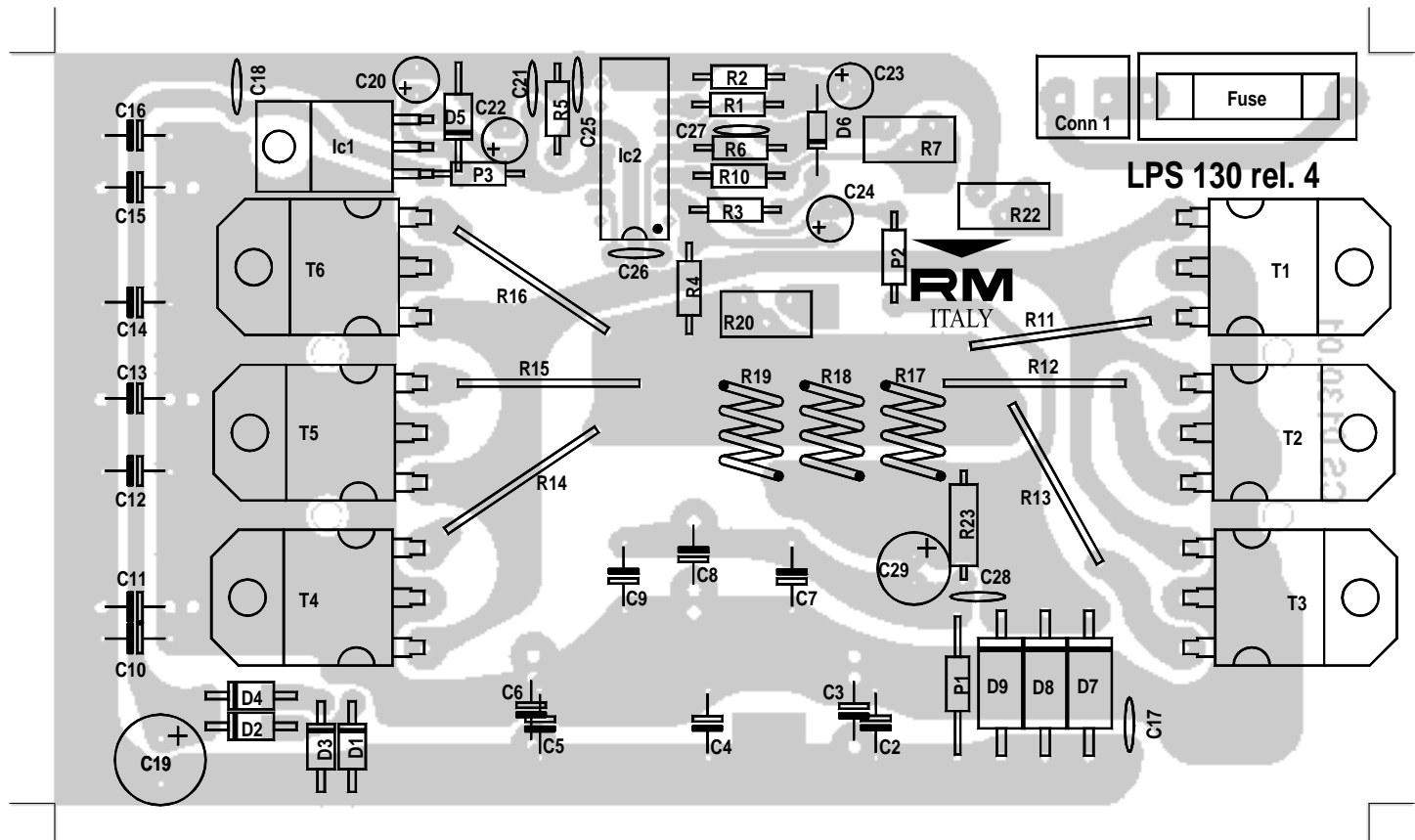
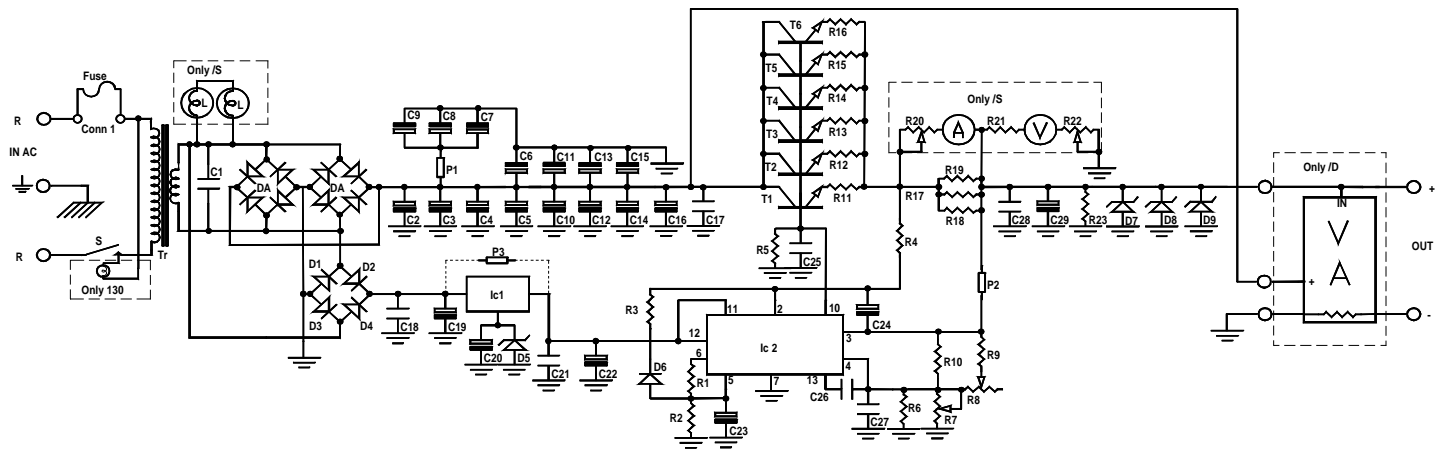


LPS 130 power supply

Schematic diagram

Version 4.00



List of components

C ₁	= 1,0 μF 63 V~	R ₂₀	= Not present
C ₂	= 4700 μF 25 V	R ₂₁	= Not present
C ₃	= Not present	R ₂₂	= Not present
C ₄	= 4700 μF 25 V	R ₂₃	= 1,0 KΩ ½ W
C ₅	= Not present	P ₁	= 0 Ω Bridge
C ₆	= Not present	P ₂	= 0 Ω Bridge
C ₇	= 4700 μF 25 V	P ₃	= 0 Ω Bridge
C ₈	= Not present	DA	= 2 x Diode bridge 25 A
C ₉	= 4700 μF 25 V	D ₁	= 1N 4004
C ₁₀	= 4700 μF 25 V	D ₂	= 1N 4004
C ₁₁	= Not present	D ₃	= 1N 4004
C ₁₂	= 4700 μF 25 V	D ₄	= 1N 4004
C ₁₃	= Not present	D ₅	= Not present
C ₁₄	= 4700 μF 25 V	D ₆	= 1N 4148
C ₁₅	= Not present	D ₇	= 1N 5353
C ₁₆	= 4700 μF 25 V	D ₈	= 1N 5353
C ₁₇	= 100 nF 50 V	D ₉	= 1N 5353
C ₁₈	= 100 nF 50 V	T ₁	= TIP 142
C ₁₉	= 470 μF 25 V	T ₂	= TIP 142
C ₂₀	= Not present	T ₃	= TIP 142
C ₂₁	= Not present	T ₄	= TIP 142
C ₂₂	= Not present	T ₅	= TIP 142
C ₂₃	= 2,2 μF 25 V	T ₆	= TIP 142
C ₂₄	= 2,2 μF 25 V	TR	= Transformer 220 - 18 V 30 A
C ₂₅	= 100 nF 50 V	FUSE	= Fuse 4A
C ₂₆	= 470 pF 50 V	Ic ₁	= Not present
C ₂₇	= 150 pF 50 V	Ic ₂	= LM 723
C ₂₈	= 100 nF 50 V	L	= not present
C ₂₉	= 22 μF 25 V	S	= Switch ON OFF
R ₁	= 2,2 KΩ ¼ W		
R ₂	= 4,7 KΩ ¼ W		
R ₃	= 470 Ω ¼ W		
R ₄	= 470 Ω ¼ W		
R ₅	= 2,2 KΩ ¼ W		
R ₆	= Not present		
R ₇	= Trimmer 4,7 KΩ		
R ₈	= Not present		
R ₉	= Not present		
R ₁₀	= 2,2 KΩ ¼ W		
R ₁₁	= Resistive wire φ 0,8 mm x 20 mm		
R ₁₂	= Resistive wire φ 0,8 mm x 20 mm		
R ₁₃	= Resistive wire φ 0,8 mm x 20 mm		
R ₁₄	= Resistive wire φ 0,8 mm x 20 mm		
R ₁₅	= Resistive wire φ 0,8 mm x 20 mm		
R ₁₆	= Resistive wire φ 0,8 mm x 20 mm		
R ₁₇	= Resistive wire coil φ 1 mm 4 turn φ 6 mm		
R ₁₈	= Resistive wire coil φ 1 mm 4 turn φ 6 mm		
R ₁₉	= Resistive wire coil φ 1 mm 4 turn φ 6 mm		