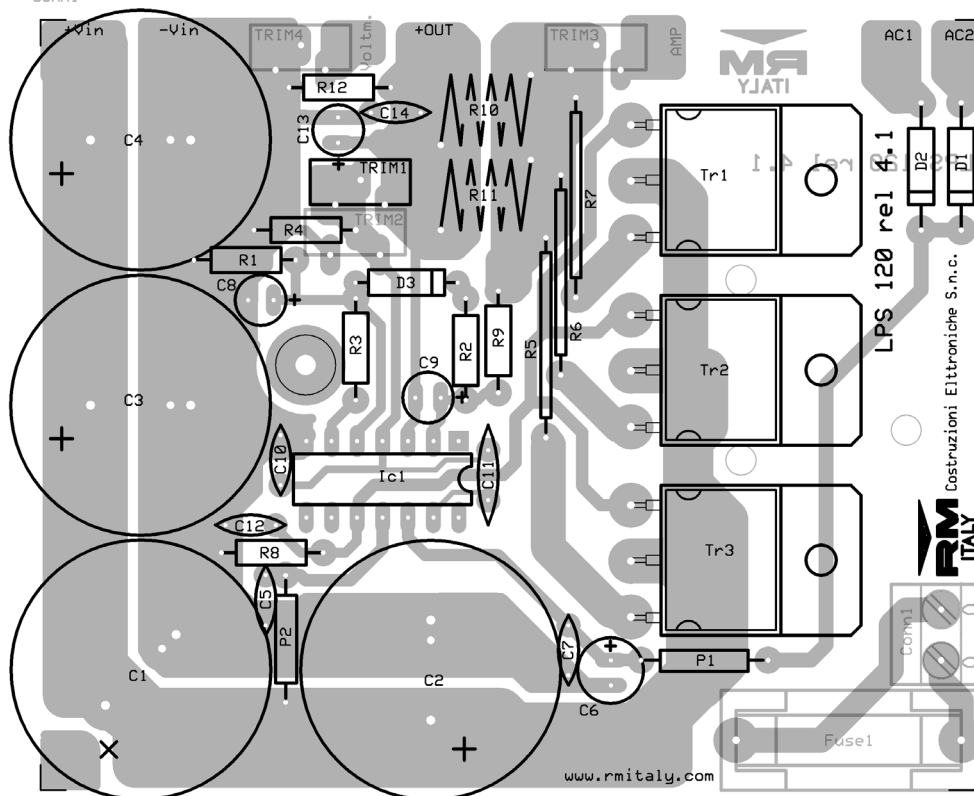
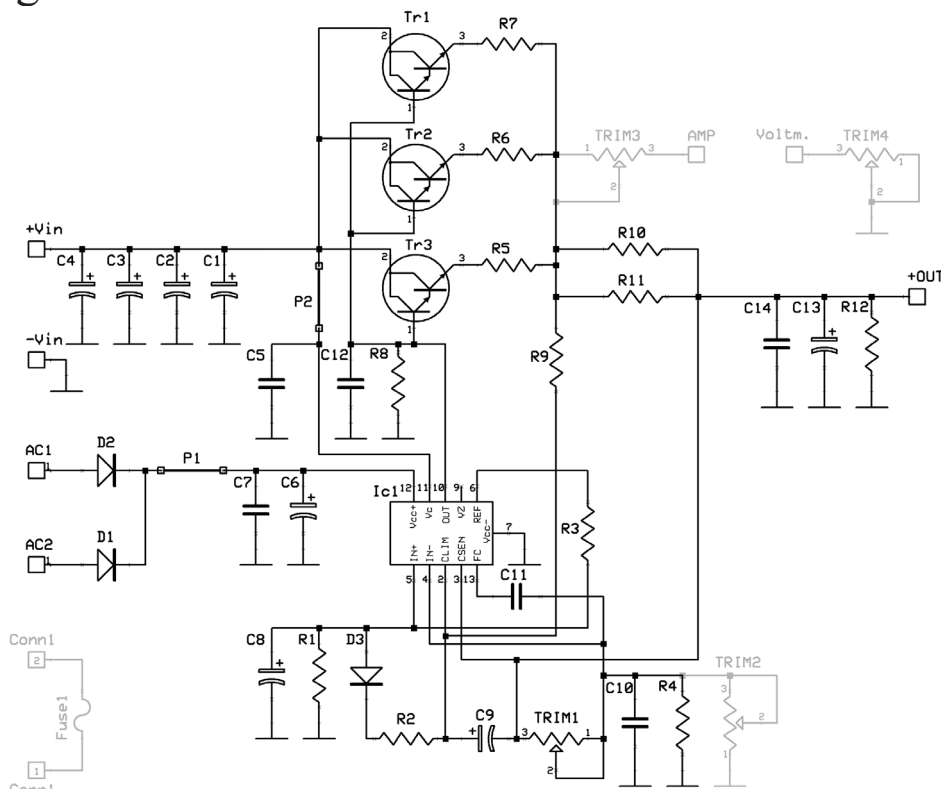


Mod. 120 power supply

Schematic diagram

Version 4.10



List of components

C ₁	= 4700 μ F	25 V
C ₂	= 4700 μ F	25 V
C ₃	= 4700 μ F	25 V
C ₄	= 4700 μ F	25 V
C ₅	= 100 nF	50 V
C ₆	= 47 μ F	25 V
C ₇	= 100 nF	50 V
C ₈	= 2,2 μ F	25 V
C ₉	= 2,2 μ F	25 V
C ₁₀	= 150 pF	50 V
C ₁₁	= 470 pF	50 V
C ₁₂	= 100 nF	50 V
C ₁₃	= 22 μ F	25 V
C ₁₄	= 100 nF	50 V
R ₁	= 4,7 K Ω	1/4 W
R ₂	= 470 Ω	1/4 W
R ₃	= 2,2 K Ω	1/4 W
R ₄	= 2,2 K Ω	1/4 W
R ₅	= Resistive wire ϕ 0,8 mm x 20 mm	
R ₆	= Resistive wire ϕ 0,8 mm x 20 mm	
R ₇	= Resistive wire ϕ 0,8 mm x 20 mm	
R ₈	= 2,2 K Ω	1/4 W
R ₉	= 470 Ω	1/4 W
R ₁₀	= Resistive wire coil ϕ 1 mm 4 turn ϕ 6 mm	
R ₁₁	= Resistive wire coil ϕ 1 mm 4 turn ϕ 6 mm	
R ₁₂	= 2,2 K Ω	1/4 W
TRIM ₁	= Trimmer 4,7 K Ω	
TRIM ₂	= Not present	
TRIM ₃	= Not present	
TRIM ₄	= Not present	
D ₁	= 1N 4004	
D ₂	= 1N 4004	
D ₃	= 1N4148	
T ₁	= TIP 142	
T ₂	= TIP 142	
T ₃	= TIP 142	
IC ₁	= LM 723	
P ₁	= 0 Ω wire	
P ₂	= 0 Ω wire	
Fuse ₁	= Not present	
Conn ₁	= Not present	