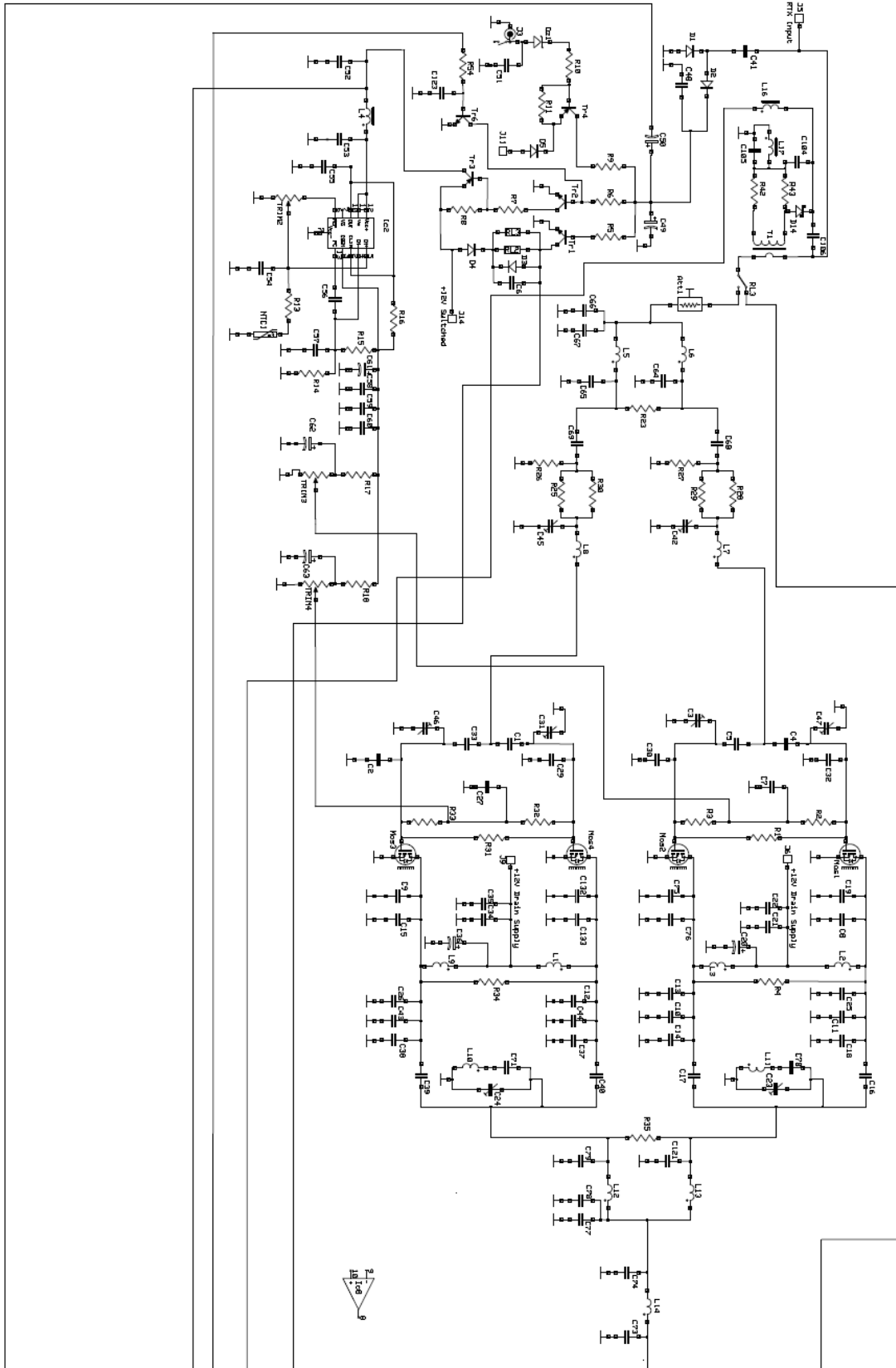
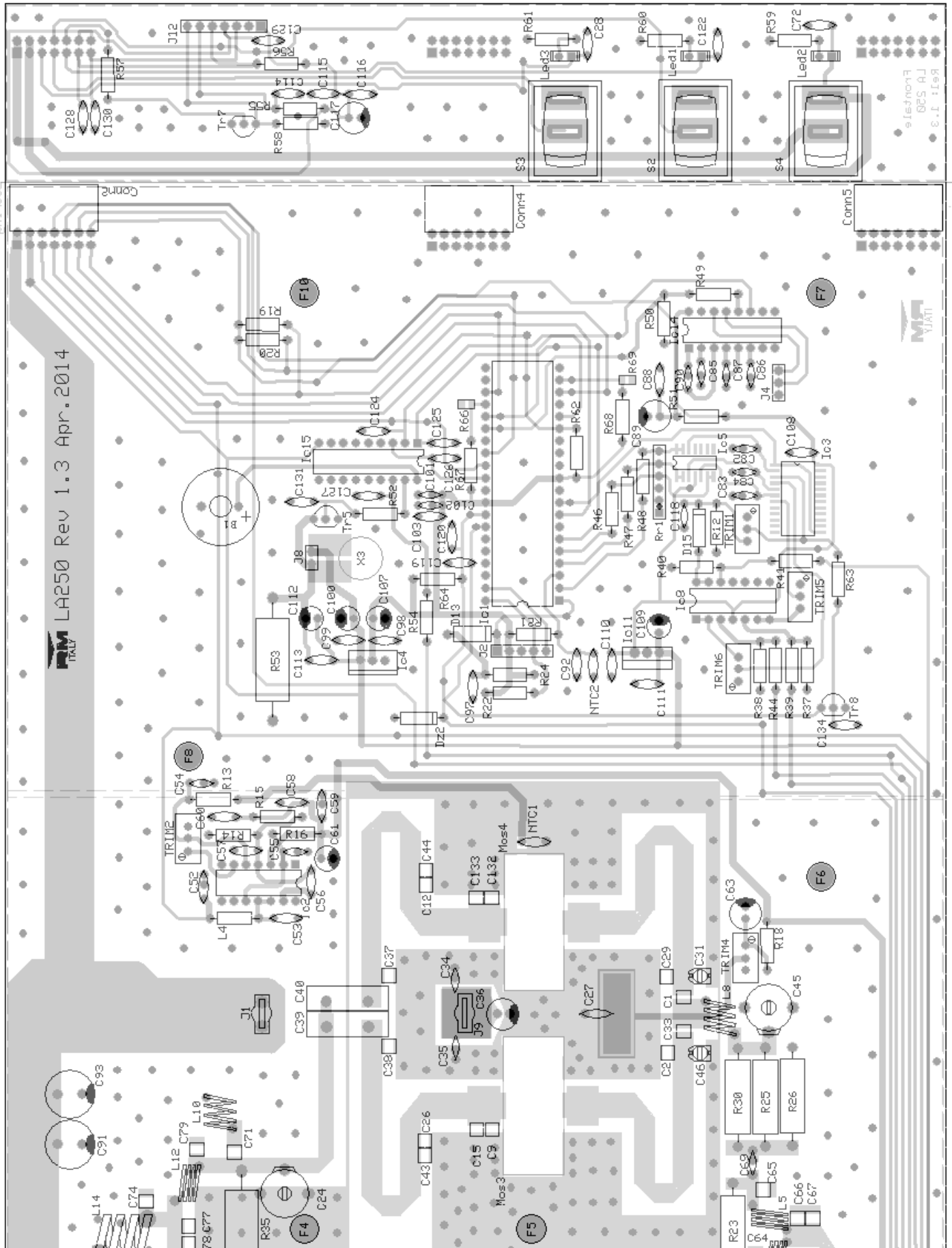


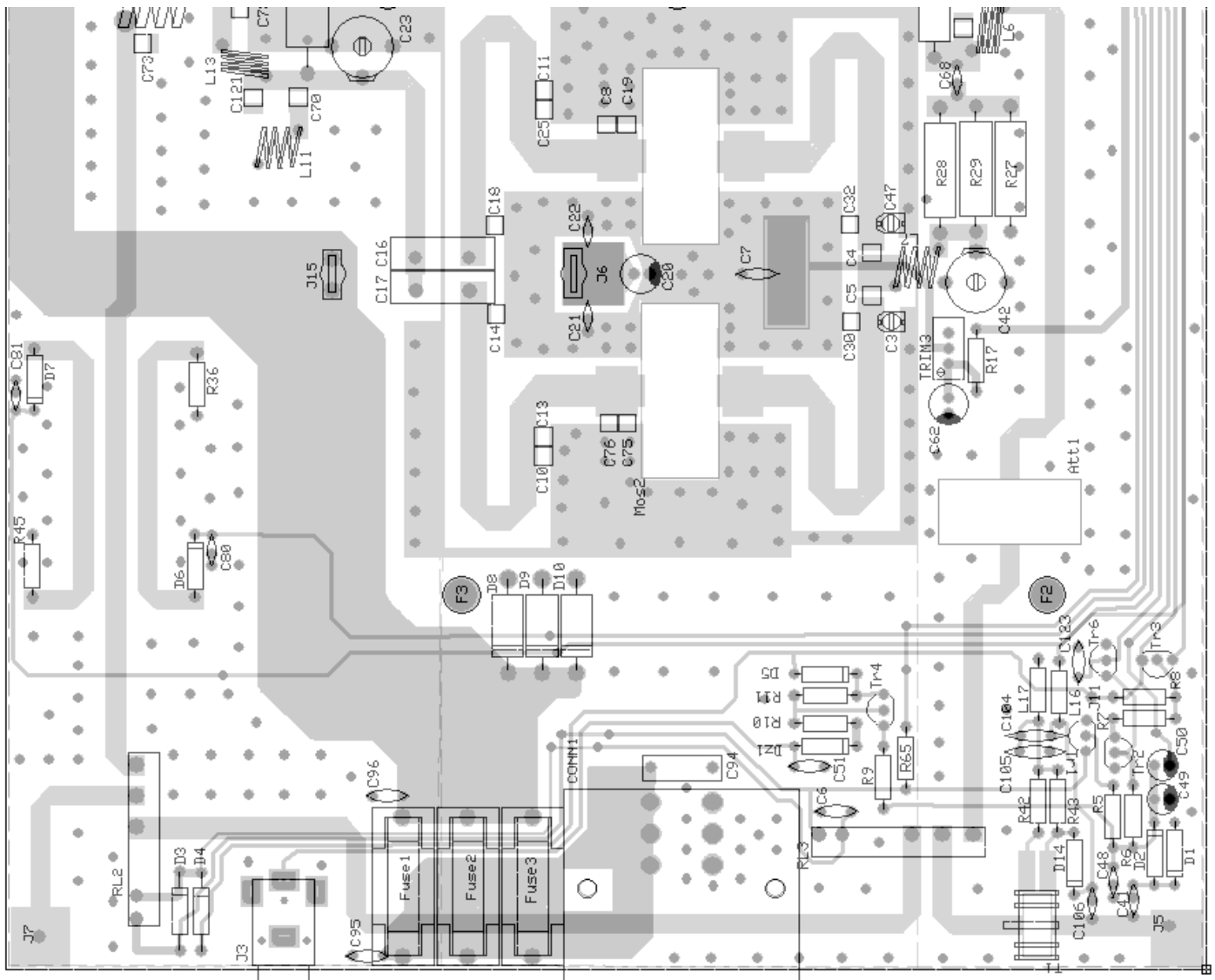
Amplificatore LA 250

Rel 1.30





LA250 Rev 1.3 Apr. 2014



List of components

C 1	=	12pF	500V	SQCB	C 25, C 26	=	100pF	500V	SQCB
C 2	=	47 pF	500 V	SQBC	C 27	=	1 nF	500V	
C 3	=	5-20 pF		Murata TZC3	C 28	=	1 nF	50V	
C 4 ,C 5	=	12pF	500V	SQCB	C 29, C 30	=	47 pF	500 V	SQBC
C 6	=	1 nF	50V		C 31	=	5-20 pF		Murata TZC3
C 7	=	1 nF	500V		C 32	=	47 pF	500 V	SQBC
C 8	=	47 pF	500 V	SQBC	C 33	=	12pF	500V	SQCB
C 9	=	82 pF	500 V	SQBC	C 34, C 35	=	1 nF	500V	
C 10, C 11	=	Not Fitted			C 36	=	47 µF	25V	
C 12, C 13	=	100pF	500V	SQCB	C 37, C 38	=	22 pF	500V	SQCB
C 14	=	22 pF	500V	SQCB	C 39, C 40	=	750 pF	500V	
C 15	=	47 pF	500 V	SQBC	C 41	=	1,0 pF	50V	
C 16, C 17	=	750 pF	500V		C 42	=	10-80 pF		PHILIPS
C 18	=	22 pF	500V	SQCB	C 43, C 44	=	Not Fitted		
C 19	=	82 pF	500 V	SQBC	C 45	=	10-80 pF		PHILIPS
C 20	=	47 µF	25V		C 46 , C 47	=	5-20 pF		Murata TZC3
C 21, C 22	=	1 nF	500V		C 48	=	1 nF	50V	
C 23, C24	=	10-80 pF		PHILIPS	C 49	=	2,2 µF	25V	
					C 50	=	47 µF	25V	

C 51	=	100 nF	50V	R 4	=	100 Ω	5W
C 52	=	10 nF	50V	R 5	=	2,2 K Ω	¼W
C 53 to C 55	=	1 nF	50V	R 6	=	10 K Ω	¼W
C 56	=	100 pF	50V	R 7	=	4,7 K Ω	¼W
C 57, C 58	=	1 nF	50V	R 8	=	1 K Ω	¼W
C 59	=	10 nF	50V	R 9	=	2,2 K Ω	¼W
C 60	=	100 nF	50V	R 10	=	12 K Ω	¼W
C 61	=	10 μ F	25 V	R 11	=	2,2 K Ω	¼W
C 62, C 63	=	33 μ F	25 V	R 12	=	1 K Ω	¼W
C 64 to C 67	=	15 pF	500 V SQCB	R 13	=	8,2 K Ω	¼W
C 68, C 69	=	1 nF	50 V	R 14	=	10 K Ω	¼W
C 70, C 71	=	3,9 pF	500V SQBC	R 15	=	2,2 K Ω	¼W
C 72	=	1 nF	50V	R 16	=	10 Ω	¼W
C 73, C 74	=	22 pF	500V SQCB	R 17, R18	=	560 Ω	¼W
C 75	=	82 pF	500 V SQBC	R 19, R 20	=	2,2 K Ω	¼W
C 76	=	47 pF	500 V SQBC	R 21	=	4,7 K Ω	¼W
C 77 to C 79	=	15 pF	500 V SQCB	R 22	=	10 K Ω	¼W
C 80 to C 84	=	1 nF	50 V	R 23	=	100 Ω	2W
C 85 to C 87	=	1 μ F	50V Multilayer	R 24	=	10 K Ω	¼W
C 88	=	100 nF	50 V	R 25	=	10 Ω	2W
C 89	=	100 μ F	35 V	R 26, R 27	=	Not Fitted	
C 90	=	1 μ F	50V Multilayer	R 28 to R 30	=	10 Ω	2W
C 91	=	470 μ F	25V	R 31	=	100 Ω	2W
C 92	=	100 nF	50V	R 32, R 33	=	1 K Ω	¼W
C 93	=	470 μ F	25V	R 34, R 35	=	100 Ω	5W
C 94	=	470 nF	100V Polyester	R 36	=	47 Ω	¼W
C 95 , C 96	=	100 nF	50V	R 37 to R 40	=	2,2 K Ω	¼W
C 97	=	220 pF	50 V	R 41	=	1,8 K Ω	¼W
C 98 , C 99	=	100 nF	50V	R 42, R 43	=	330 Ω	¼W
C 100	=	10 μ F	25 V	R 44	=	2,2 K Ω	¼W
C 101, C 102	=	220 nF	50 V Multilayer	R 45	=	47 Ω	¼W
C 103	=	100 nF	50V	R 46 to R 49	=	1 K Ω	¼W
C 104 , C 105	=	330 pF	50 V	R 50	=	1,5 K Ω	¼W
C 106	=	1,0 pF	50V	R 51	=	22 Ω	¼W
C 107	=	22 μ F	25 V	R 52	=	1 K Ω	¼W
C 108	=	100 nF	50V	R 53	=	100 Ω	5W
C 109	=	10 μ F	25 V	R 54	=	10 K Ω	¼W
C 110, C111	=	100 nF	50V	R 55	=	47 Ω	¼W
C 112	=	22 μ F	25 V	R 56, 57	=	10 K Ω	¼W
C 113 to C 116	=	100 nF	50V	R 58	=	2,7 K Ω	¼W
C 117	=	100 μ F	35 V	R 59 to R 61	=	1 K Ω	¼W
C 118	=	12 pF	500V	R 62 to R 64	=	10 K Ω	¼W
C 119, C 120	=	1 nF	50V	R 65	=	3,9 K Ω	¼W
C 121	=	15 pF	500V SQCB	R 66	=	Not Fitted	
C 122 to C 131	=	1 nF	50V	R 67, R 68	=	10 K Ω	¼W
C 132	=	82 pF	500 V SQBC	R 69	=	Not Fitted	
C 133	=	47 pF	500 V SQBC	Rr 1	=	6A103G	
C 134	=	1 nF	500V	B1	=	MB12A12	12v
R 1	=	100 Ω	2W	NTC 1 , NTC 2	=	NTC 10 K Ω	
R 2, R 3	=	1 K Ω	¼W				

TRIM 1	=	vert_multi_10K	L 17	=	1,0 mH
TRIM 2	=	vert_multi_10K	RL 2, RL 3	=	Rele_3451
TRIM 3	=	vert_multi_500	S 2	=	RLEIL RL3T125/55
TRIM 4	=	vert_multi_500	S 3	=	Momentary Switch
TRIM 5	=	vert_multi_10K	S 4	=	RLEIL RL3T125/55
TRIM 6	=	vert_multi_10K	T 1	=	Sensor POWER
Att 1	=	-6dB_100W	Fuse 1	=	FUSE 5X20 10A
D 1, D 2	=	1N4148	Fuse 2	=	FUSE 5X20 10A
D 3, D4	=	1N4007	Fuse 3	=	FUSE5 X20 10A
D 5	=	1N4148	CONN1	=	Conn_PC6-2-GF-10-16
D 6 , D7	=	1N5711	Conn1	=	Conn_WR-PHD_M_14pole
D 8 to D 10	=	1N5400	Conn2	=	Conn_WR-PHD_F_14pole
D 13	=	BAT41	Conn3	=	Conn_WR-PHD_M_14pole
D 14	=	1N5711	Conn4	=	Conn_WR-PHD_F_14pole
D 15	=	1N4148	Conn5	=	Conn_WR-PHD_F_14pole
Dz1	=	5,1V ½W	Conn6	=	Conn_WR-PHD_M_14pole
Dz2	=	3,3V ½W	J 1	=	Faston_6-3_CS
Led 1	=	LED_V_rett RED	J 2	=	Strip 5 way Standard
Led 2	=	LED_V_rett GREEN	J 3	=	RCA-90a
Led 3	=	LED_V_rett RED	J 4	=	Jumper 3 way
Tr 1, Tr2	=	BC547B	J 5	=	RTX
Tr 4	=	BC557B	J 6	=	Faston_6-3_CS
Tr 3	=	BC327-25	J 7	=	ANT
Tr 5	=	BC337-25	J 8	=	Jumper 2 way (Not Fitted)
Tr 6	=	BC547B	J 9	=	Faston_6-3_CS
Tr 7	=	BC337-25	J 12	=	Strip 7 way (Long)
Tr 8	=	BC547B	J 15	=	Faston_6-3_CS
Mos 1 to Mos 4	=	RD60HUF1			
Ic 1	=	PIC18F46K20			
Ic 2	=	LM723C			
Ic 3	=	Ic-74CBTD3384			
Ic 4	=	LD1117V33C			
Ic 5	=	Ic-AD8534			
Ic 8	=	LM324N			
Ic 11	=	L7805CV			
Ic 14	=	MAX232			
Ic 15	=	UDN2981			
L 1 to L 3	=	VHF Choke			
L 4	=	2,2 µH			
L 5, L 6	=	4 Turns 1.0mm Wire (Silver Plated) Diameter 7mm Length 4.5mm			
L 7, L 8	=	3 Turns 1.0mm Wire (Silver Plated) Diameter 6mm Length 7mm			
L 9	=	VHF Choke			
L 10, L 11	=	4 Turns 0.8mm Wire (Silver Plated) Diameter 5.3mm Length 4.5mm			
L 12, L 13	=	4 Turns 1.0mm Wire (Silver Plated) Diameter 7mm Length 4.5mm			
L 14	=	4 Turns 1.5mm Wire (Silver Plated) Diameter 7mm Length 9.5mm			
L 16	=	470 µH			