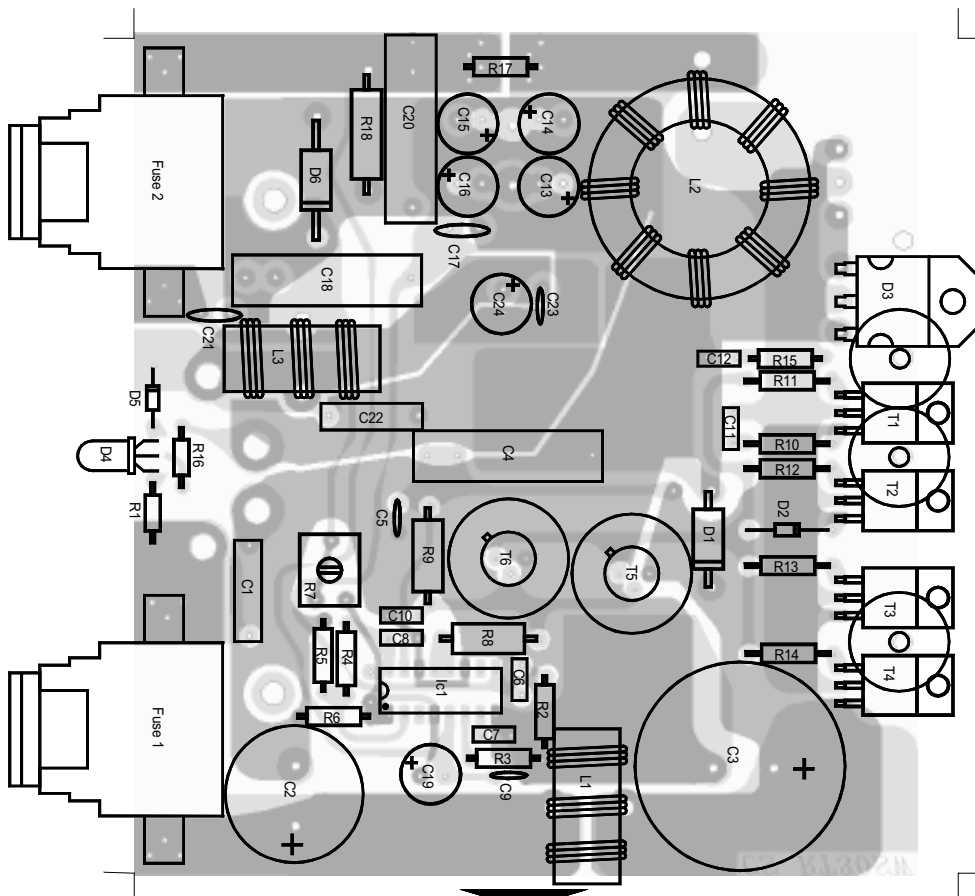
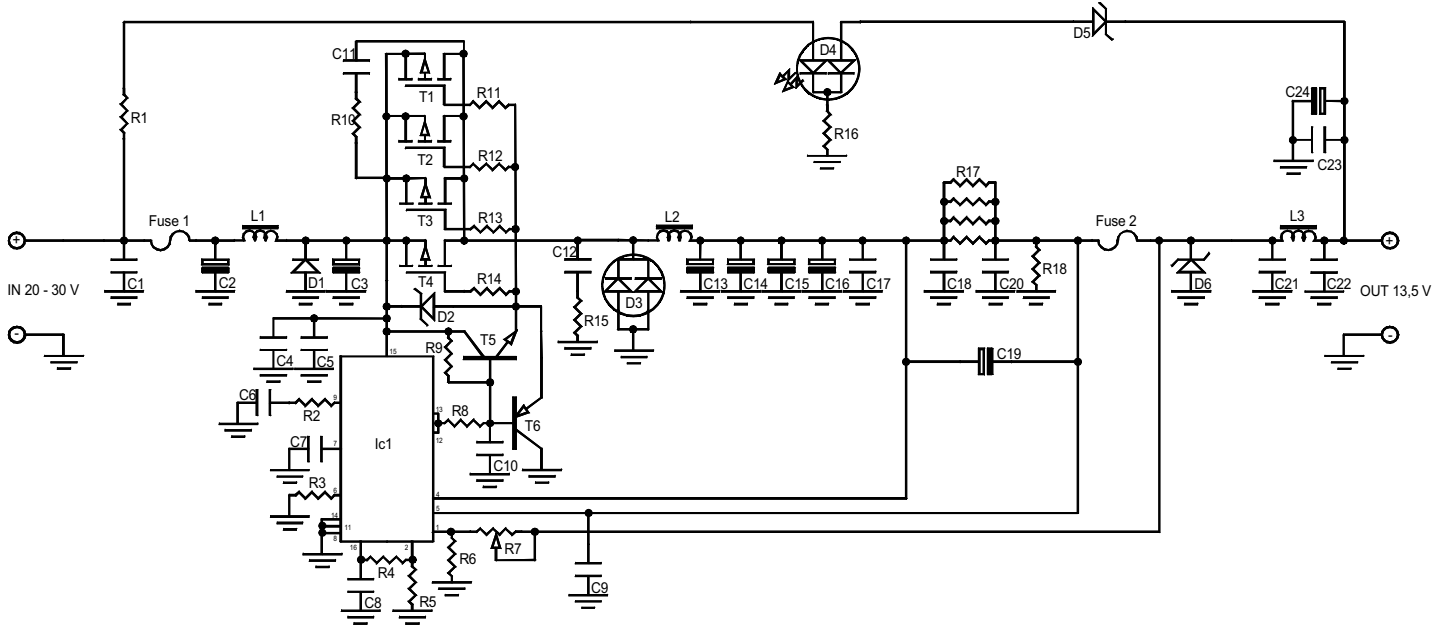


Mod. RT 30 SW tension reducer

Schematic diagram

Version 1.00



List of components

C ₁	=	470 nF	63 V	polyester	T ₁	=	IRF 9530
C ₂	=	4700 µF	40 V		T ₂	=	IRF 9530
C ₃	=	4700 µF	50 V		T ₃	=	IRF 9530
C ₄	=	4,7 µF	63 V	polyester	T ₄	=	IRF 9530
C ₅	=	100 nF	50 V	ceramic	T ₅	=	BC 141
C ₆	=	100 nF	63 V	polyester	T ₆	=	BC 161
C ₇	=	1 nF	63 V	polyester	Fuse ₁	=	Fuse 20 A
C ₈	=	100 nF	63 V	polyester	Fuse ₂	=	Fuse 30 A
C ₉	=	100 nF	50 V	ceramic	IC ₁	=	UC 3552 AN
C ₁₀	=	1 nF	63 V	polyester	L ₁	=	ANRA 167
C ₁₁	=	1 nF	63 V	polyester	L ₂	=	AN 337 S2
C ₁₂	=	1 nF	63 V	polyester	L ₃	=	ANRA 167
C ₁₃	=	100 µF	35 V				
C ₁₄	=	100 µF	35 V				
C ₁₅	=	100 µF	35 V				
C ₁₆	=	100 µF	35 V				
C ₁₇	=	100 nF	50 V	ceramic			
C ₁₈	=	4,7 µF	63 V	polyester			
C ₁₉	=	100 µF	35 V				
C ₂₀	=	4,7 µF	63 V	polyester			
C ₂₁	=	100 nF	50 V	ceramic			
C ₂₂	=	470 nF	63 V	polyester			
C ₂₃	=	100 nF	50 V	ceramic			
C ₂₄	=	100 µF	35 V				
R ₁	=	10 KΩ	¼ W				
R ₂	=	1,0 KΩ	½ W				
R ₃	=	10 KΩ	¼ W				
R ₄	=	4,7 KΩ	¼ W				
R ₅	=	4,7 KΩ	¼ W				
R ₆	=	1,0 KΩ	¼ W				
R ₇	=	Trimmer	4,7 KΩ				
R ₈	=	470 Ω	1 W				
R ₉	=	470 Ω	1 W				
R ₁₀	=	470 Ω	½ W				
R ₁₁	=	10 Ω	½ W				
R ₁₂	=	10 Ω	½ W				
R ₁₃	=	10 Ω	½ W				
R ₁₄	=	10 Ω	½ W				
R ₁₅	=	470 Ω	½ W				
R ₁₆	=	180 Ω	¼ W				
R ₁₇	=	4 x Resistive wire φ 0,8 mm x 20 mm					
R ₁₈	=	470 Ω	1 W				
D ₁	=	1N 5400					
D ₂	=	Zener 15 V ½ W					
D ₃	=	MBR 3045					
D ₄	=	Bicolor Led					
D ₅	=	Zener 7,5 V ½ W					
D ₆	=	IN5353					