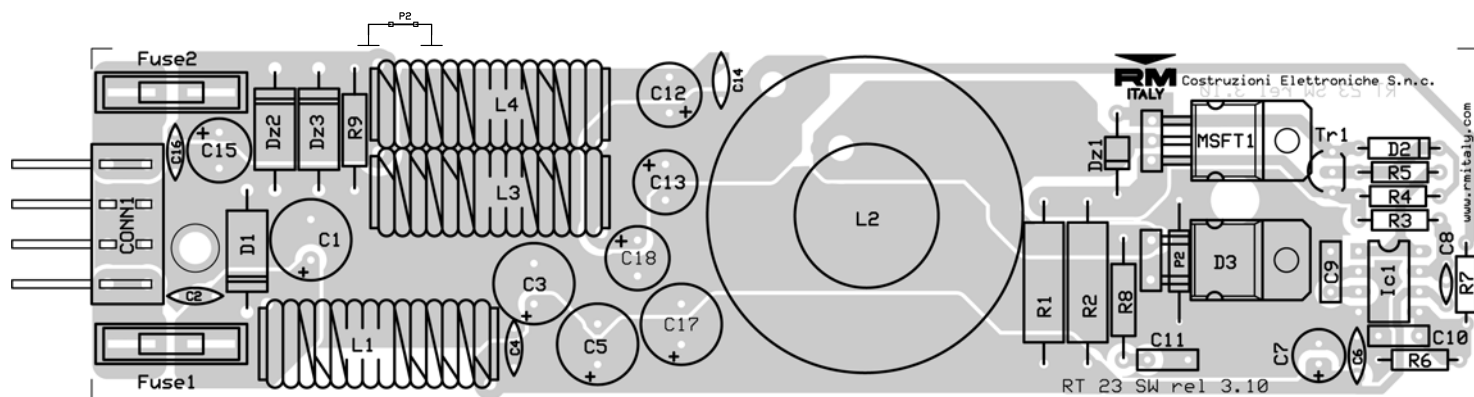
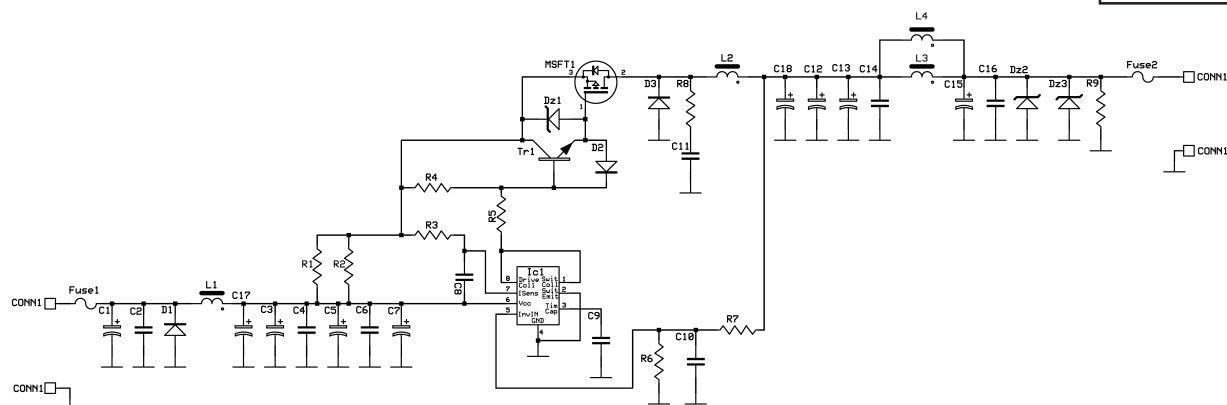


Mod. RT 23 SW tension reducer

Schematic diagram

Version 3.10



List of components

C ₁	=	470 μF	35 V	105 °C
C ₂	=	100 nF	50 V	
C ₃	=	470 μF	35 V	105 °C
C ₄	=	100 nF	50 V	
C ₅	=	470 μF	35 V	105 °C
C ₆	=	100 nF	50 V	
C ₇	=	100 μF	35 V	
C ₈	=	1,0 μF	50 V	Multilayer
C ₉	=	820 pF	50 V	Multilayer
C ₁₀ = C ₁₁	=	1,0 nF	63 V	Polyester
C ₁₂ = C ₁₃	=	1000 μF	25 V	105 °C
C ₁₄	=	100 nF	50 V	
C ₁₅	=	1000 μF	25 V	105 °C
C ₁₆	=	100 nF	50 V	
C ₁₇	=	470 μF	35 V	105 °C
C ₁₈	=	1000 μF	25 V	105 °C
R ₁ = R ₂	=	0,02 Ω	2 W	
R ₃ = R ₄	=	1,0 KΩ	¼ W	

R ₅	=	220 Ω	¼ W
R ₆	=	1,0 KΩ	¼ W
R ₇	=	10 KΩ	¼ W
R ₈	=	10 Ω	1 W
R ₉	=	470 Ω	1 W
D ₁	=	1N 5400	
D ₂	=	1N 4148	
D ₃	=	MUR 1540	
Dz ₁	=	15 V 1,3 W	
Dz ₂ = Dz ₃	=	1N 5355	
Tr ₁	=	BC 337	
MSFT ₁	=	IRF 5305	
Fuse ₁	=	Fuse 15 A	
Fuse ₂	=	Fuse 20 A	
IC ₁	=	MC 33063	
L ₁	=	ANRA 464	
L ₂	=	ANRA 565	
L ₃ = L ₄	=	ANRA 464	
P ₂	=	Bridge 0Ω	