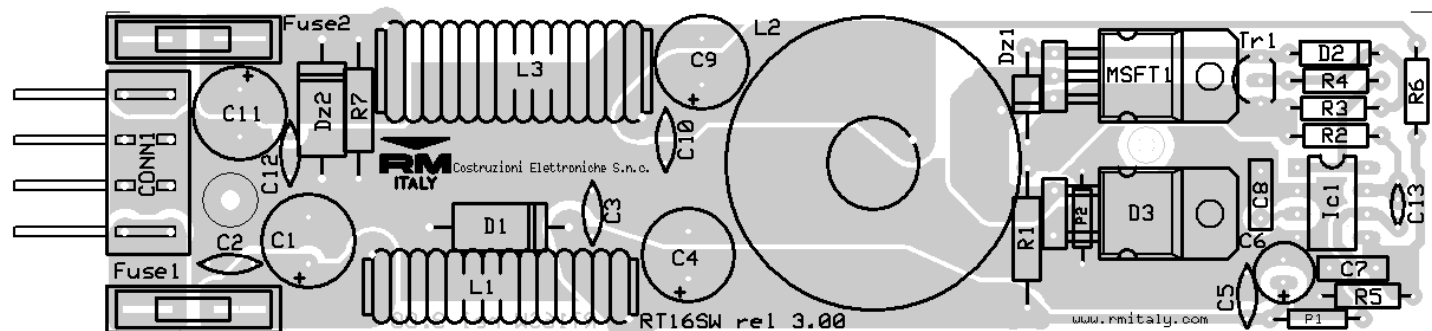
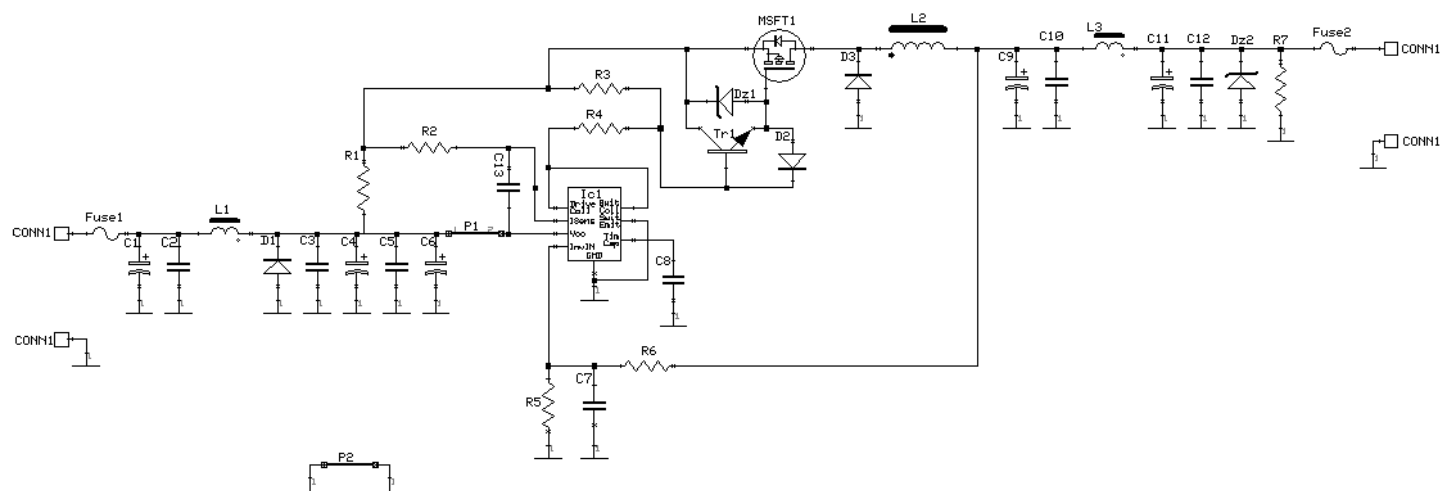


Mod. RT 16 SW tension reducer

Schematic diagram

Version 3.00



List of components

C ₁	=	330 μF	35 V	105 °C
C ₂	=	100 nF	50 V	
C ₃	=	100 nF	50 V	
C ₄	=	330 μF	35 V	105 °C
C ₅	=	100 nF	50 V	
C ₆	=	100 μF	35 V	
C ₇	=	1,0 nF	63 V	Polyester
C ₈	=	820 pF	50 V	Multilayer
C ₉	=	470 μF	25 V	105 °C
C ₁₀	=	100 nF	50 V	
C ₁₁	=	470 μF	25 V	105 °C
C ₁₂	=	100 nF	50 V	
C ₁₃	=	1,0 μF	50 V	Multilayer
R ₁	=	0,015 Ω	2 W	
R ₂	=	1,0 KΩ	¼ W	
R ₃	=	1,0 KΩ	¼ W	
R ₄	=	220 Ω	¼ W	

R ₅	=	1,0 KΩ	¼ W
R ₆	=	10 KΩ	¼ W
R ₇	=	470 Ω	1 W
D ₁	=	1N 5400	
D ₂	=	1N 4148	
D ₃	=	MUR 1520	
Dz ₁	=	15 V 1,3 W	
Dz ₂	=	1N 5355	
Tr ₁	=	BC 337	
MSFT ₁	=	IRF 5305	
Fuse ₁	=	Fuse 10 A	
Fuse ₂	=	Fuse 15 A	
IC ₁	=	MC 34063	
L ₁	=	ANRA 474	
L ₂	=	ANRA 443	
L ₃	=	ANRA 464	
P ₁ = P ₂	=	Bridge 0 Ω	