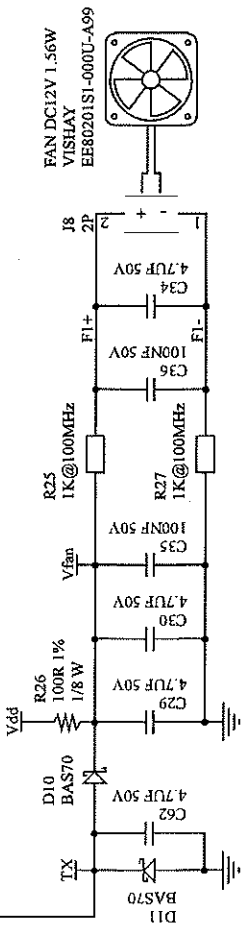
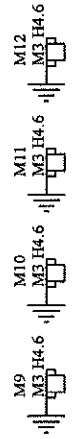
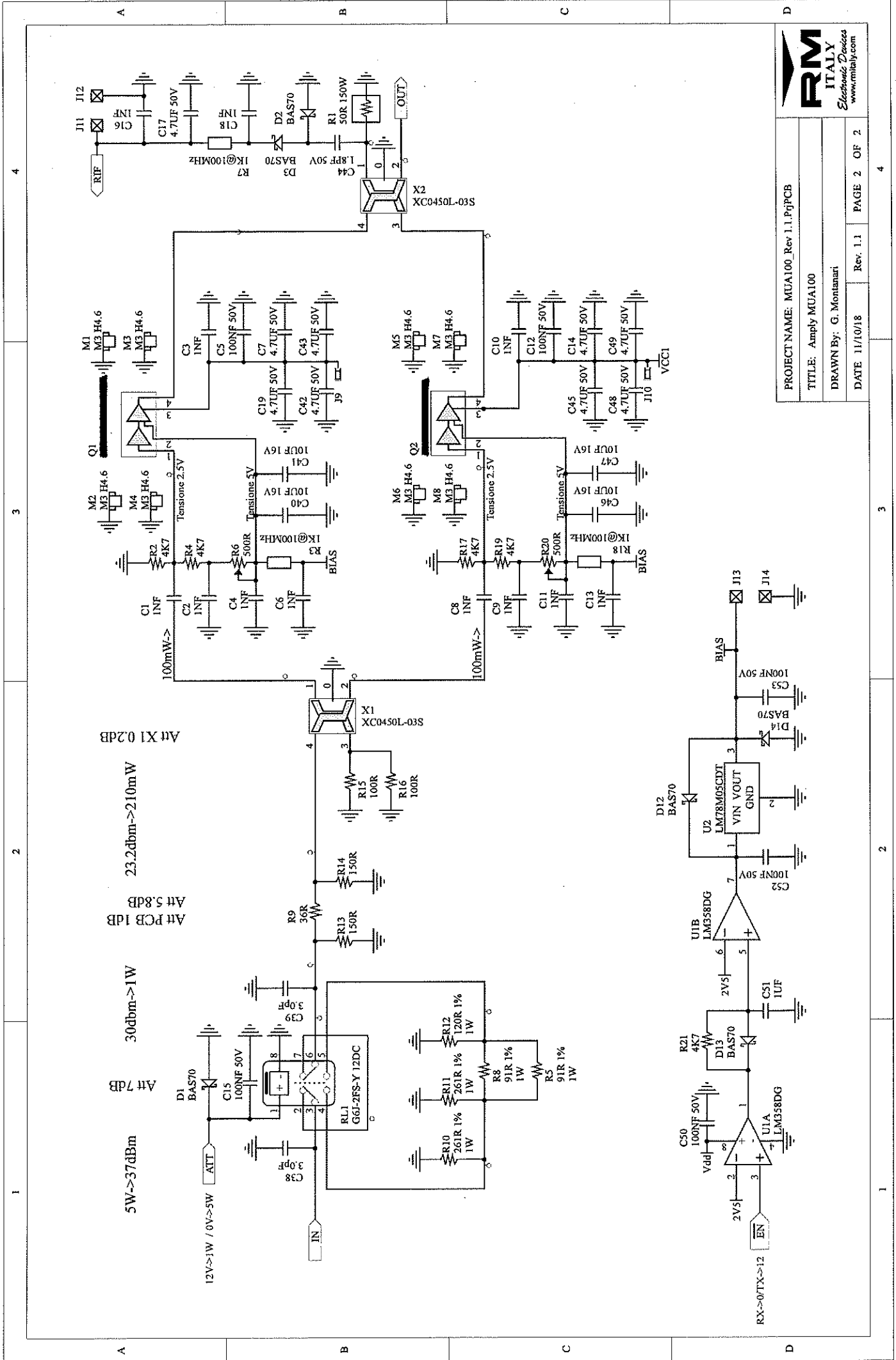


RM ITALY
Electronic Devices
www.rmitaly.com

PROJECT NAME: MUA100_Rev 1.1.PjPCB
TITLE: Main Board MUA100
DRAWN BY: G. Montanari
DATE 11/10/18 Rev. 1.1 PAGE 1 OF 2

Distanziali, Fissaggio Dissipatore





ERM
 ITALY
Electronic Devices
 www.ermItaly.com

PROJECT NAME: MUA100_Rev 1.1_PfjPCB
 TITLE: Amply MUA100
 DRAWN By: G. Montanari
 DATE 11/10/18 Rev. 1.1 PAGE 2 OF 2

Layer	Material	Thickness	Construction	Color / Layer
1	Top Layer	0.127mm	Solder Resist	3.0
2	Prepreg	0.127mm	FR-4	4.5
3	Core	0.127mm	Solder Resist	3.0
4	Bottom Layer	0.127mm	Solder Resist	3.0

